

*Eastwood*<sup>®</sup>

DO THE JOB RIGHT.<sup>®</sup>

Item #16144

# PORTABLE PAINTING RACK

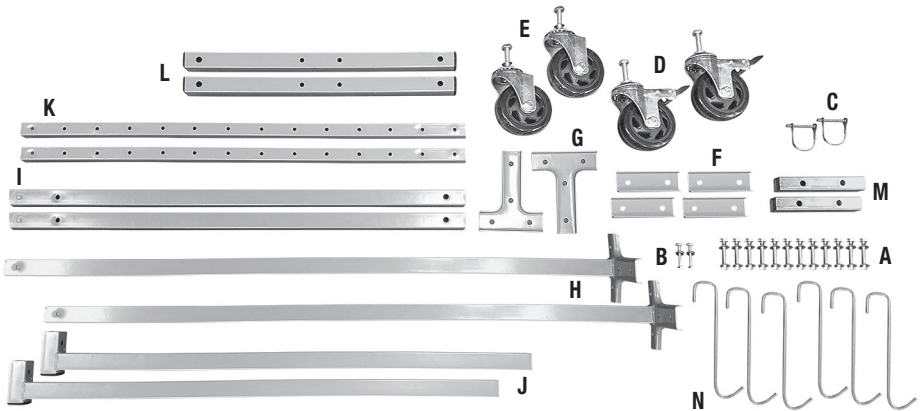
## INSTRUCTIONS



A favorite of professional body shops and hobbyists alike, the **EASTWOOD PORTABLE PAINTING RACK** features heavy duty, powder coated, steel tubing with a total weight capacity of 320 lbs. The 70"-wide rack also adjusts in height from 5 to 6.6 feet, making this perfect for hanging doors and hoods. Locking casters keep the rack right where you need it while you work.

## CONTENTS

- |   |                                     |
|---|-------------------------------------|
| (12) Long Bolt Assembly (M8 x 1.25 x 50mm) <b>[A]</b> | (2) Lower Upright <b>[H]</b>        |
| (2) Short Bolt Assembly (M6 x 1.0 x 40mm) <b>[B]</b>  | (2) Bottom Frame <b>[I]</b>         |
| (2) Adjusting Pin <b>[C]</b>                          | (2) Top Frame <b>[J]</b>            |
| (2) Locking Caster Assembly <b>[D]</b>                | (2) Adjusting Frame <b>[K]</b>      |
| (2) Non-Locking Caster Assembly <b>[E]</b>            | (2) Frame Axle <b>[L]</b>           |
| (4) Two-Hole Frame Bracket Clamp <b>[F]</b>           | (2) Frame Support Insert <b>[M]</b> |
| (2) Four-Hole T bracket clamp <b>[G]</b>              | (6) Hanging Hooks <b>[N]</b>        |



## TOOLS REQUIRED (not included)

- 10mm Wrench
- 13mm Wrench
- 17mm Wrench

## SPECIFICATIONS

- Max. Capacity:** 320 lbs.  
**Max. Hook Capacity:** 110 lbs.  
**Width:** 70" wide  
**Frame Height Extension:** From 5' - 6.6'

# SAFETY INFORMATION

The following explanations are displayed in this manual, on the labeling, and on all other information provided with this product:

## DANGER

DANGER indicates a hazardous situation which, if not avoided, will result in death or serious injury.

## WARNING

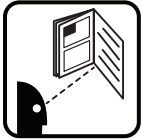
WARNING indicates a hazardous situation which, if not avoided, could result in death or serious injury.

## CAUTION

CAUTION used with the safety alert symbol, indicates a hazardous situation which, if not avoided, could result in minor or moderate injury.

## NOTICE

NOTICE is used to address practices not related to personal injury.



## READ INSTRUCTIONS

- Thoroughly read and understand these product instructions before use.
- Keep these product instructions for future reference.



## WARNING PAINTING RACK CAN TIP OR COLLAPSE CAUSING SEVERE INJURY

- **DO NOT** move Painting Rack on sloped surfaces while loaded.
- **DO NOT** concentrate a heavy load at either end of the Painting Rack. This can cause the balance to shift suddenly, tipping the Rack and its load which can cause injury and property damage.
- **DO NOT** exceed the rated 320 lbs weight capacity.
- **DO NOT** use to support people or animals.
- **DO NOT** climb on the Painting Rack.
- **DO NOT** use the Painting Rack to support items other than body panels and other objects to be painted.
- **DO NOT** attempt to transport the Painting Rack by any means while it is holding a load.

## WARNING

- **DO NOT** remove or cover any of the factory supplied labels or warnings! They include specific safety information that must be communicated to future users.



**⚠ WARNING FALL HAZARD!**

- Awkward, out of balance body positions may be attempted while trying to reach objects placed on the Painting Rack. Failure to ensure proper footing can result in a fall which could inflict serious personal injury or property damage.

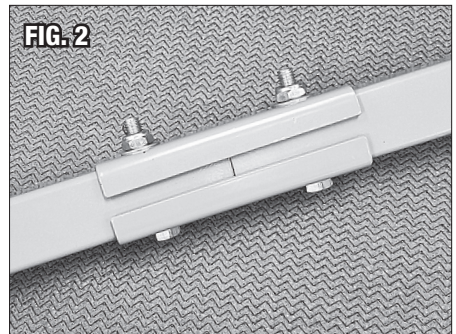
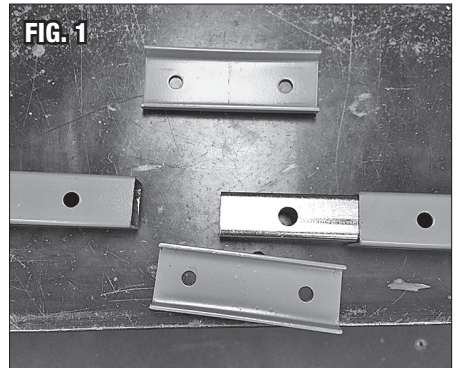


**⚠ CAUTION PINCH/CRUSH HAZARD!**

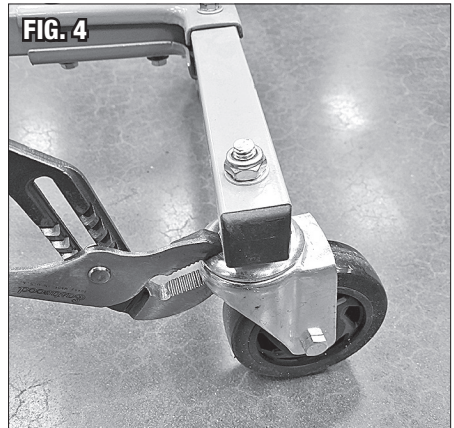
- This Painting Rack has moveable components that can crush or pinch. Keep fingers and hands away from pinch points when operating.

## ASSEMBLY

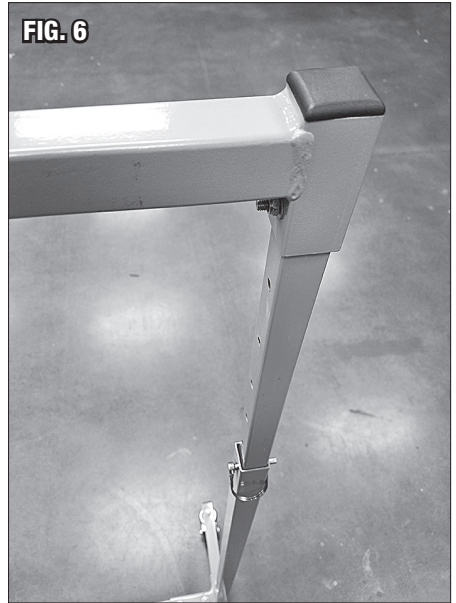
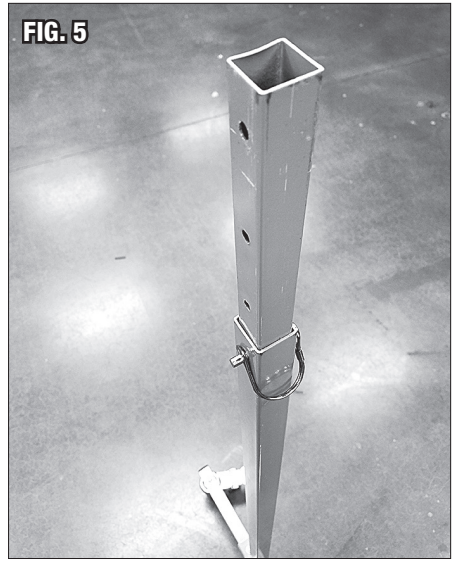
1. Begin assembly with the bottom Frame [1]. Using two frame bracket clamps [F] and one frame support insert [M], slide the support insert inside the single-hole ends of both the bottom frame pieces as shown in **FIG. 1**. Next, sandwich these pieces between two frame bracket clamps. Secure the assembly with two long bolt assemblies [A] placing one washer under the bolt head and one under the nut. The resulting assembly should appear as in **FIG. 2**.



2. Assemble the lower upright **[H]**, frame axle **[L]**, and bottom frame **[I]** using the four-hole T bracket clamp **[G]**. Lay one end of the bottom frame assembly that you have just constructed in a T bracket clamp, then lay the frame axle in the same bracket perpendicular to the bottom frame. Place the T end of the main frame over this joint and affix with 4 long bolt assemblies as shown in **FIG. 3**. Repeat for opposite end.
3. Attach the caster assemblies **[D, E]** to the frame axles **[L]**. Clamp the caster skirt to the caster in your preferred method to prevent free spinning as shown in **FIG 4**. Using the washer and lock nut provided, tighten the caster stud to the axle frame. Repeat for the remaining casters, installing the two locking casters on the same end. Lock the two locking casters by pressing down on the large lever. Hit the small resulting raised lever to unlock.
4. Assemble the two top frame pieces **[J]** in the same manner as the bottom frame pieces in Step 1 using 2 two-hole frame bracket clamps **[F]**, one frame support insert **[M]**, and 2 long bolt assemblies **[A]**. Make sure the long sides of the T's on the outside ends of the assembly are both facing in the same direction.



1. Slide one adjusting frame **[K]** down each arm of the main frame assembly so that the holes can be aligned to accept adjusting pins **[C]** as shown in **FIG 5**. Slide the adjusting frames down far enough to make installing the assembled top frame easier. Line up a set of holes and install the adjusting pins.
2. Install the top frame assembly step 4 on top of the adjusting frames. Use the two short bolt assemblies **[B]** to secure the top frame to the adjusting frames as shown in **FIG 6**.



# MAINTENANCE

- Keep all moving components of the Painting Rack free of dirt or paint accumulations.
- The Painting Rack is finished in rugged powder coating which will provide many years of effort free beauty, however it is advisable to keep the finish clean and free from excessive paint and dirt.
- The Painting Rack may be covered with plastic or paper masking material to prevent accumulation of paint.
- Do not store the Painting Rack in a damp or wet environment.
- Occasionally inspect all components for potential damage and proper alignment. Check all hardware for tightness.
- Do not use if damage is discovered.

---

**If you have any questions about the use of this product, please contact**

The Eastwood Technical Assistance Service Department: 800.343.9353 >> email: [tech@eastwood.com](mailto:tech@eastwood.com)

PDF version of this manual is available at [eastwood.com](http://eastwood.com)

The Eastwood Company 263 Shoemaker Road, Pottstown, PA 19464, USA

800.343.9353 [eastwood.com](http://eastwood.com)