

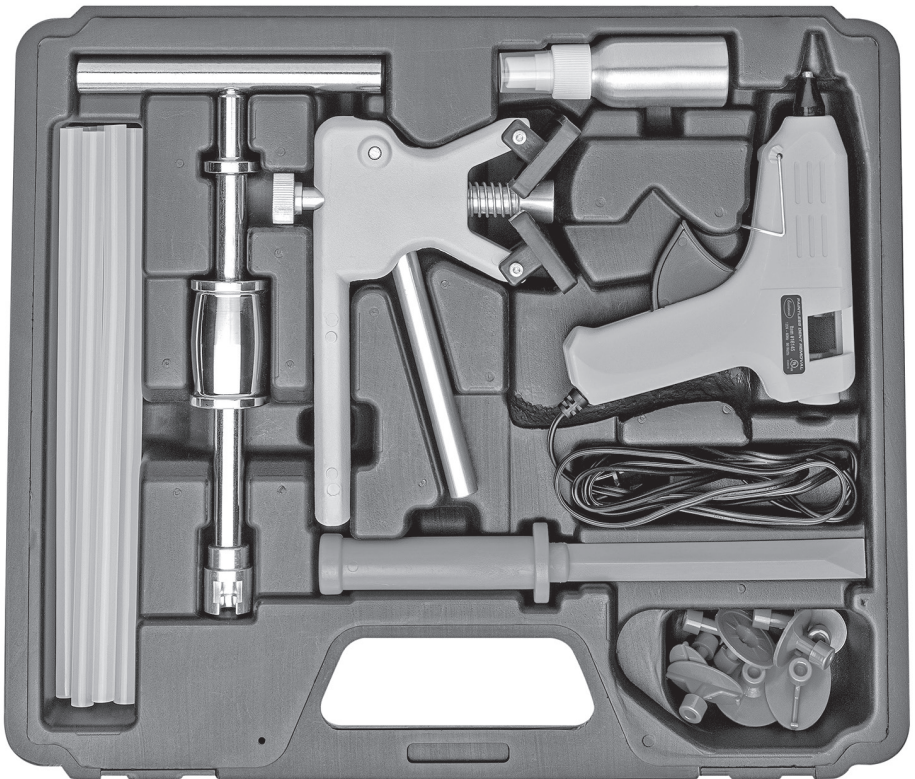
Eastwood[®]

DO THE JOB RIGHT.[®]

Item #16145

PAINTLESS DENT REMOVAL KIT

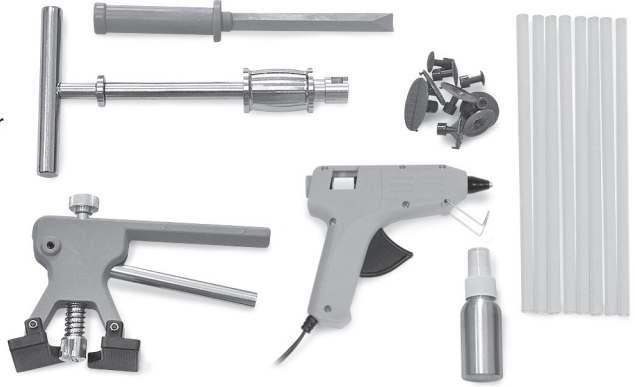
INSTRUCTIONS



The **EASTWOOD PAINLESS DENT REMOVAL KIT** includes all professional-use components which allows shallow dents and dings to be removed quickly and easily without expensive paintwork. Perfect for pulling hail damage and most common parking lot and shopping cart mishaps.

CONTENTS

- (1) Lever Type Dent Puller
- (1) Slide Hammer Dent Puller
- (9) Plastic Pull Buttons
- (1) Electric Hot Glue Gun
- (8) Glue Sticks
- (1) Nylon Scraper
- (1) Aluminum Spray Bottle
- (1) Blow Molded Case



SAFETY INFORMATION

The following explanations are displayed in this manual, on the labeling, and on all other information provided with this product:

⚠ DANGER

DANGER indicates a hazardous situation which, if not avoided, will result in death or serious injury.

⚠ WARNING

WARNING indicates a hazardous situation which, if not avoided, could result in death or serious injury.

⚠ CAUTION

CAUTION used with the safety alert symbol, indicates a hazardous situation which, if not avoided, could result in minor or moderate injury.

⚠ NOTICE

NOTICE is used to address practices not related to personal injury.



⚠ READ INSTRUCTIONS

- Thoroughly read and understand this manual before using.
- Save for future reference.



⚠ CAUTION BURN HAZARD!

- The Electric Hot Glue Gun and hot Glue can cause serious burns. Wear protective heat-resistant gloves when using this Kit.



⚠ CAUTION EYE INJURY HAZARD!

- Hot Glue may be ejected from Glue Gun. Eye protection should be worn at all times when operating this tool. Use ANSI approved safety glasses. Everyday eyeglasses are NOT safety glasses.



⚠ CAUTION FALL HAZARD!

- Glue may suddenly release while being pulled. Failure to ensure proper footing can quickly result in a fall which could inflict serious personal injury or property damage.



⚠ CAUTION INJURY HAZARD!

- DO NOT use the Eastwood Dent Pulling Kit to support the weight of a person or valuable property as serious injury or property damage may occur.
- DO NOT exceed 80 lbs. of lifting or pulling capacity as serious injury or property damage may occur.

⚠ NOTICE

- The Eastwood Paintless Dent Pulling Kit may damage or pull paint from a surface during use. This is less likely to happen when used on factory painted surfaces than refinished surfaces.
- Only use Eastwood #16146 Replacement Glue Sticks as they are formulated for use with this tool.

PREPARATION

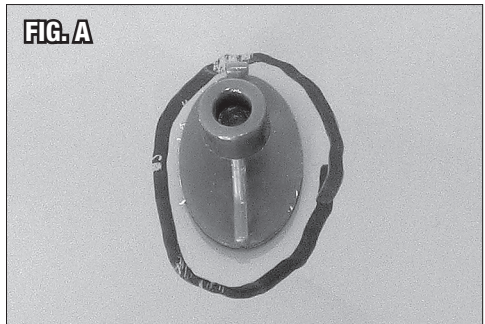
- Prepare the area to be pulled by removing all traces of wax, polish or dirt.

▲ NOTICE

This step is vital to allow full adhesion of glue when pulling. Use Eastwood PRE #10041Z PRE Painting Prep (Not Included) or equivalent product with a clean, lint-free cloth to clean the area several times to remove all traces of wax or polish. If none is available, denatured alcohol may be used (not Included) with the empty Aluminum Spray Bottle.

DENT REMOVAL PROCEDURE

- Select the Plastic Pull Button that best matches the size and shape of the dent to be pulled. Generally, the very center of a dent is the best placement however larger dents may benefit from multiple pulls from different locations.
- Using a non-permanent type marker or masking tape, trace a circle around the outside of the planned location of the Pull Button (**FIG A**).
- Insert a Glue Stick into the portal at the rear of the Glue Gun and slide it inward approx. 2" (**FIG B**).
- Plug in the Glue Gun & allow to heat up for 10 to 15 minutes. At this time, the glue should be sufficiently heated to use.
- Using extreme care and wearing heat resistant gloves, apply heated glue to the face of the selected Pull Button to a uniform depth of approx. 1/16" (**FIG C**).



- Immediately apply the face of the Pull Button to the previously outlined area and hold firmly in place for 10 to 15 seconds.

⚠ NOTICE

DO NOT apply excessive pressure to the Pull Button.

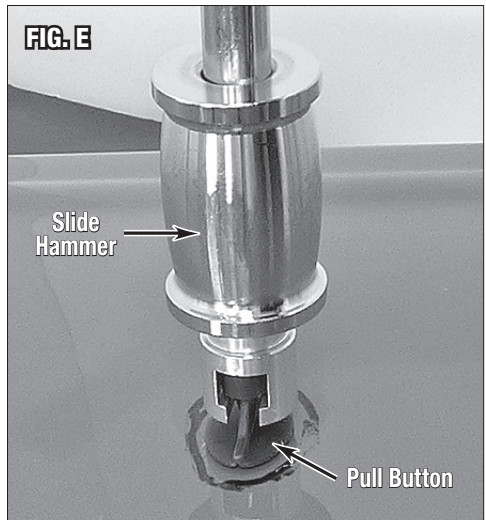
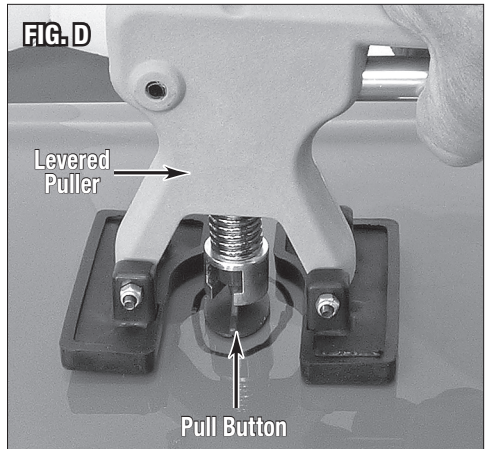
- Wait several minutes for the heated glue to solidify then hook the slotted feature of either the Levered Puller or Slide Hammer shaft over the “T” feature of the Pull Button (**FIGS D & E**).
- Operate the chosen pulling device to remove damage.

⚠ NOTICE

The Levered Puller works best on smaller dents and dings while the Slide Hammer is best for larger, deeper and more complex damage.

⚠ NOTICE

Dents with creased edges may be improved upon, however the creases will require metal working and cannot be removed with this kit.



PULL BUTTON REMOVAL

- Fill the Aluminum Spray Bottle 3/4 full of denatured alcohol (not included).
- Apply the denatured alcohol liberally to the glue area while using the Nylon Scraper to gently wedge between the Pull Button and paint surface.

⚠ NOTICE

Use extreme care not to scratch the paint surface while using the Nylon Scraper.

⚠ NOTICE

The full dent pulling procedure may need to be repeated several times to adequately remove damage and in some situations, dents with irregular or creased damage may not be able to be removed completely.

ADDITIONAL ITEMS

#10041Z Eastwood PRE Painting Prep 11 oz. Aerosol

#10194ZP Eastwood PRE Painting Prep 30 oz. Bottle

#16146 Replacement Glue Sticks

#16147 Replacement Pull Buttons

If you have any questions about the use of this product, please contact

The Eastwood Technical Assistance Service Department: 800.343.9353 >> email: tech@eastwood.com

PDF version of this manual is available at eastwood.com

The Eastwood Company 263 Shoemaker Road, Pottstown, PA 19464, USA

800.343.9353 eastwood.com