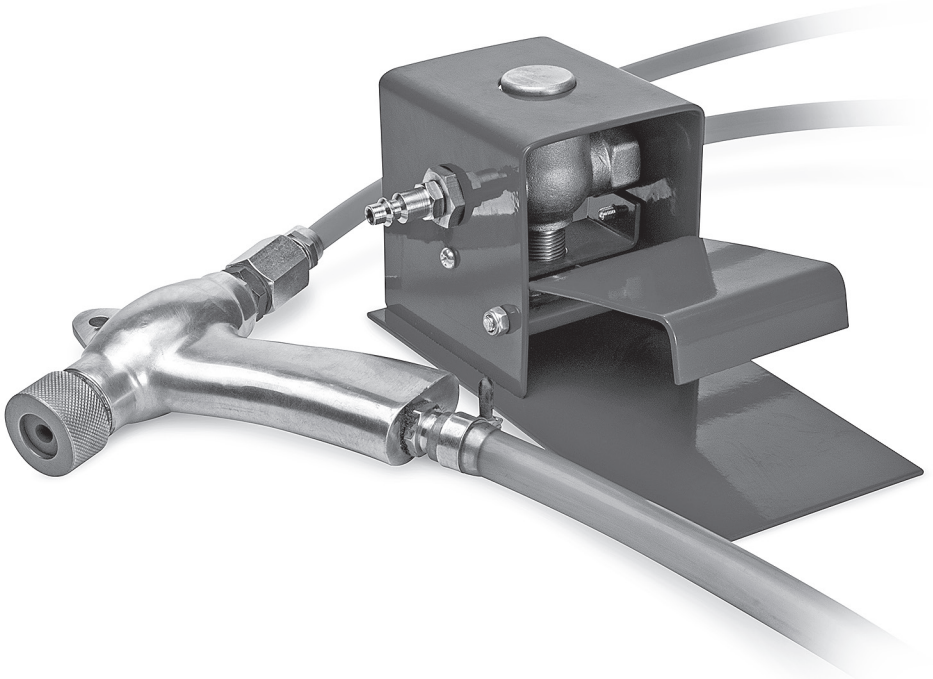


Eastwood[®]

DO THE JOB RIGHT.[®]

Item #21133

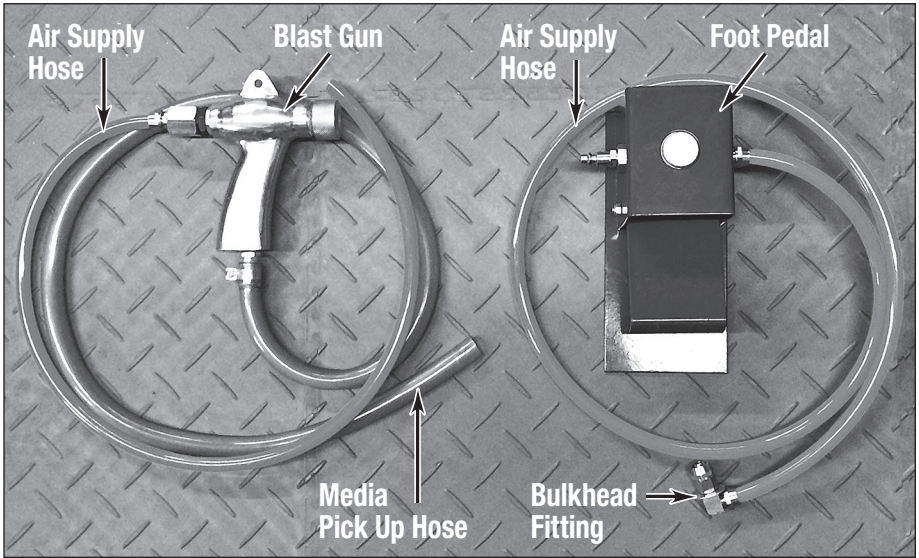
BLAST CABINET FOOT PEDAL & GUN INSTRUCTIONS



The **EASTWOOD BLAST CABINET FOOT PEDAL KIT** is designed to replace the standard trigger operated blast gun in the Eastwood Blast Cabinets. The Foot Pedal eliminates hand fatigue and adds more precise control to the blast media flow.

CONTENTS

- (1) High-Volume Blast Gun with Air Supply and Media Pick-Up Hoses
- (1) Foot Pedal Control with Air Supply Hose and Bulkhead Fitting



SAFETY INFORMATION

The following explanations are displayed in this manual, on the labeling, and on all other information provided with this product:

⚠ DANGER

DANGER indicates a hazardous situation which, if not avoided, will result in death or serious injury.

⚠ WARNING

WARNING indicates a hazardous situation which, if not avoided, could result in death or serious injury.

⚠ CAUTION

CAUTION used with the safety alert symbol, indicates a hazardous situation which, if not avoided, could result in minor or moderate injury.

⚠ NOTICE

NOTICE is used to address practices not related to personal injury.

SAFETY INFORMATION



⚠️ READ INSTRUCTIONS

- Thoroughly read and understand these product instructions before using this equipment. Failure to follow all warnings can result in tool damage or serious physical injury.
- Keep these product instructions for future reference.



⚠️ WARNING HEALTH HAZARDS!

- Silica based abrasives have been linked to severe respiratory disease. Avoid breathing dust produced by the Blast Cabinet Foot Pedal Kit. Always wear appropriate NIOSH approved breathing apparatus. DO NOT use any sand or silica based abrasives with this Blast Cabinet Foot Pedal Kit.
- Dust and fine particulate matter is generated during the blasting process which can contain toxic substances such as lead, silica, solvents and others. Breathing this dust and fine particulate matter can cause many serious respiratory health conditions. Always use NIOSH approved respiratory protection while using this Blast Cabinet Foot Pedal Kit.
- This Blast Gun will eject particles, dust and sharp fragments at high velocity during operation. Eye protection should be worn at all times when operating this equipment. Use ANSI approved safety glasses. Everyday eyeglasses are NOT safety glasses.



⚠️ WARNING HEARING DAMAGE HAZARD!

- Abrasive Blasting can generate excessive noise. Use ANSI approved ear protection when operating this equipment.



⚠️ CAUTION EXPLOSION HAZARD!

- Do not exceed 120 psi (8.3 bar) of tool inlet pressure. Permanent tool damage and/or explosion could occur and cause personal injury.

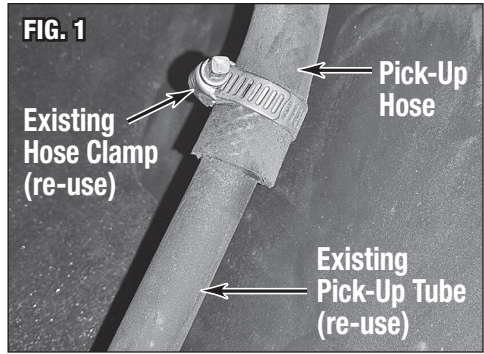


⚠️ CAUTION INJURY HAZARD!

- Never allow one person to operate the Foot Pedal while another operates Blast Gun in cabinet.
- This Blaster can quickly start up when handling while connected to an air supply causing serious personal injury. Always disconnect the Blaster from the air supply before changing nozzles, removing clogs or other maintenance.

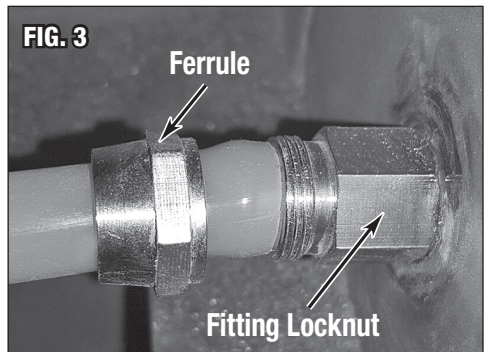
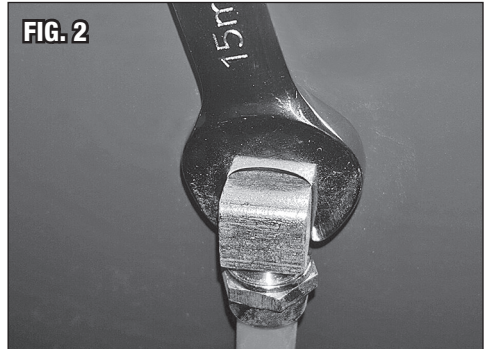
BLAST GUN INSTALLATION

- Remove existing blast gun assembly from blast cabinet.
- Disconnect and remove existing Media Pick-Up tube from media pick-up hose. Set it and the hose clamp aside for re-use.
- Attach Media Pick-Up Hose to previously used Pick-Up Tube and secure with previously used hose clamp (FIG 1).

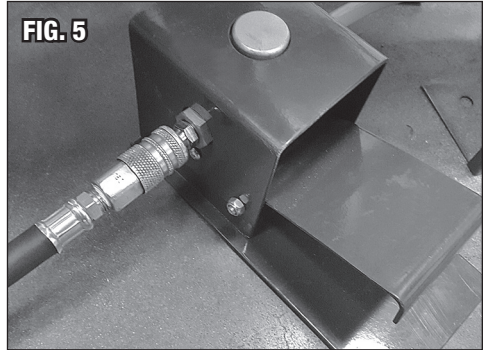
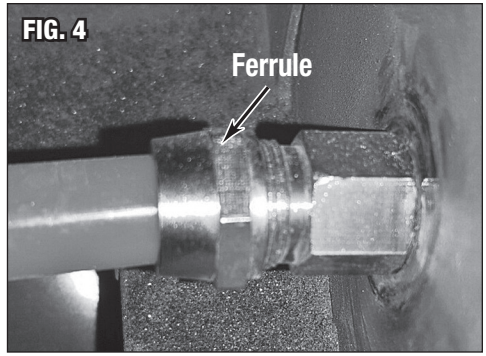


GUN AIR SUPPLY CONNECTION

- Removing existing air supply line and fittings from blast cabinet.
- Place the 90° Bulkhead Fitting into existing air supply hole in Blast Cabinet panel (FIG 2).
- Lock 90° Bulkhead Fitting in place with included Fitting Locknut (FIG 3).
- Slide the Compression Ferrule over end of Gun Air Supply Hose with threaded end facing outward (FIG 3).
- Press the Gun Air Supply Hose into the barbed feature of the Bulkhead Fitting (FIG 3).



- Tighten Ferrule with Hose onto the Bulkhead Fitting (**FIG 4**).
- Connect Quick Disconnect fitting at Foot Pedal to Inlet Air Supply and the Blast Cabinet Foot Pedal Kit (**FIG 5**).

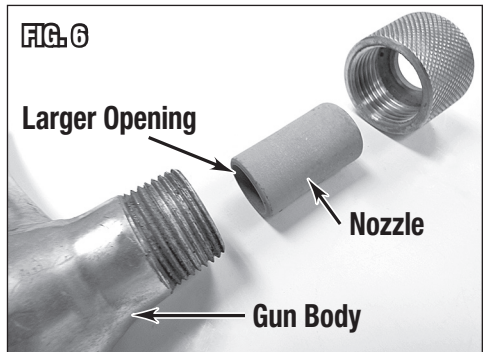


NOZZLE REPLACEMENT

⚠ CAUTION INJURY HAZARD!

This Blaster can quickly start up when handling while connected to an air supply causing serious personal injury. Always disconnect the Blaster from the air supply before changing nozzles, removing clogs or other maintenance.

- Remove Knurled Brass Ring from the end of the Blast Gun Body and remove Ceramic Nozzle (**FIG 6**).
- Inspect interior condition of Ceramic Nozzle for excessive erosion and replace if worn.
- Insert replacement Ceramic Nozzle with larger conical end inward.
- Replace Knurled Brass Ring.



TROUBLESHOOTING

⚠ CAUTION INJURY HAZARD!

This Blaster can quickly start up when handling while connected to an air supply causing serious personal injury. Always disconnect the Blaster from the air supply before changing nozzles, removing clogs or other maintenance.

PROBLEM	CAUSE	CORRECTION
Blast Gun Doesn't Respond to Foot Pedal Depression	Insufficient Volume of Air (CFM) to Operate Blast Gun	Verify sufficient air supply to tool. 7.1 CFM @ 90 PSI minimum requirement, 10.25 CFM @ 115 PSI is recommended.
	Moisture or Other Contamination in Air Supply	Check for moisture in air line and tool air inlet.
	Gun Nozzle is Blocked by Contaminated Media	Stop use, disconnect from air supply, disassemble gun and inspect Nozzle for blockage. Replace or sift blast media before continuing use.
Blast Gun Performance is Slow or Sluggish	Insufficient Volume of Air (CFM) to Operate Blast Gun	Verify sufficient air supply to tool. 7.1 CFM @ 90 PSI minimum requirement, 10.25 CFM @ 115 PSI is recommended.
	Moisture or Other Contamination in Air Supply	Check for moisture in air line and tool air inlet.
	Gun Nozzle is Blocked by Contaminated Media	Stop use, disconnect from air supply, disassemble gun and inspect Nozzle for blockage. Replace or sift blast media before continuing use.
Media Stream Suddenly Stops	Dirt or Debris in Suction Hose	To dislodge blockage, place a <i>gloved</i> finger over the Nozzle outlet and momentarily depress Trigger.
	Pick-Up Tube is Inserted Too Deeply Into Media	Never exceed 12" [304mm] of depth into the blast media or the path for incoming make up air will be blocked and the Blaster will not function.

ADDITIONAL ITEMS

- #21135 Replacement Nozzles, 2-pack
- #21305 Air Jet for #21301 and #21133
- #30998 Dust Collection System
- #34103 Moisture Separator
- #10041Z PRE Painting Prep
- #22022 Abrasive Sifter Screen

If you have any questions about the use of this product, please contact

The Eastwood Technical Assistance Service Department: 800.343.9353 >> email: tech@eastwood.com

PDF version of this manual is available at eastwood.com

The Eastwood Company 263 Shoemaker Road, Pottstown, PA 19464, USA

800.343.9353 eastwood.com