

Cyclone, Mfg.
P.O. Box 815
Dowagiac, MI 49047
(269) 782-9670



Operation Manual & Part List

Model FT6035 Full Top Open Blast Cabinet

WARNING!! Abrasive blast cabinets produce a powerful flow of abrasive particles. To avoid personal injury and/or property damage, read this manual thoroughly before operating the blast cabinet. It is suggested this manual is kept for reference of blaster model number and replacement parts listing.

**This blast cabinet is set up for use with DRY Abrasive Materials ONLY!
DO NOT MIX FLUIDS WITH BLAST MATERIAL!**

Introduction

Cyclone abrasive blast cabinets are designed for cleaning and finishing with dry blast materials such as glass beads, aluminum oxide, blasting garnet, walnut shells, silicon carbide and sands. The system is sealed at all openings, such window. The blast system will produce several different finishes, depending on the type of blasting material and the air pressure used.

Precautionary Check List

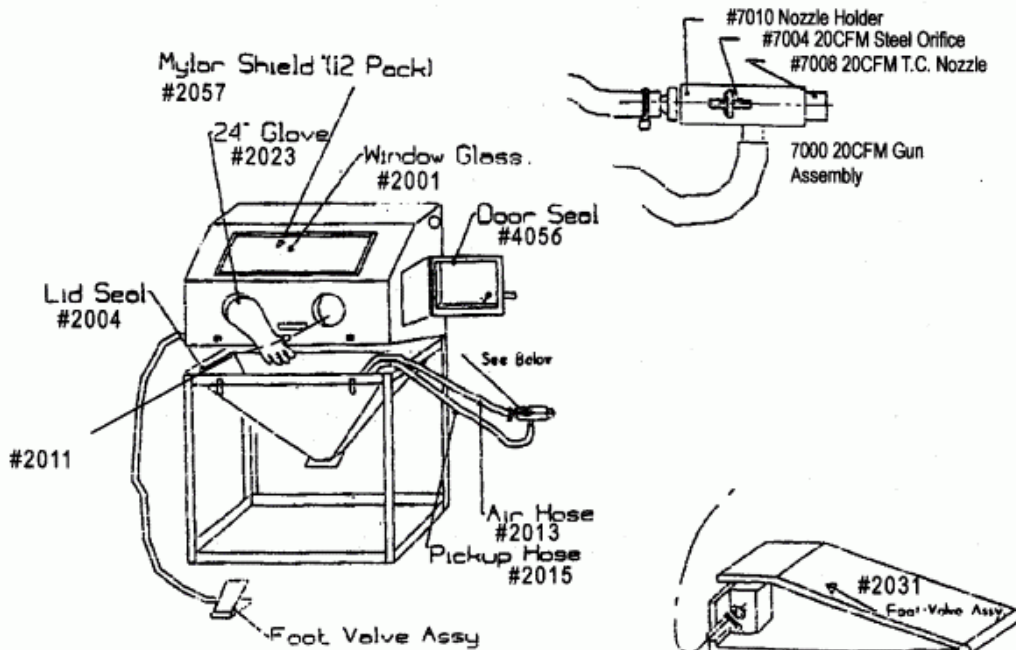
- * Always close cabinet doors before blasting.
- * Make sure all air connections are secure.
- * Do Not Operate Over 120 PSI.
- * Always clean any spilt blasting material from work area. It can cause floors to become slippery.
- * Use lower air pressure to clean soft metals and delicate parts.
- * Always keep the blast stream moving in a circular or horizontal motion. Any blast concentrated in one area will result in pitting and uneven blast surfaces.
- * **DO NOT USE STEEL SHOT IN THIS BLAST CABINET!** This cabinet is not designed for or set up for steel shot. Use of steel shot in this blast unit will void the warranty and possibly injure the operator!
- * **DO NOT USE LIQUID OF ANY KIND IN THIS BLAST CABINET!** Liquids will cause the blast media to clump up and not flow through the hoses properly. Use of any liquids will void the warranty and could cause damage to the cabinet!

How To Assemble and Install Blast Cabinet

- 1) Open cabinet, reach in and screw two max 70 watt rough service lamp into sockets located just inside the cabinet.
- 2) Install the dust collection system according to manufacturers directions. The dust system hose will fit into the 2 1/4" hole found on the upper left hand side of blast unit. It just slides in-no holding device. Plug cabinet into a grounded outlet. The blast cabinet has a 3 pronged grounded plug to guard against electric shock. If only 2 pronged receptacle is available, a ground adapter can be used. Make sure the green lead from the adapter is properly attached to a grounded wire system. If any extension cords are used, be sure they are in good condition.
Note: The Canadian Electrical Code prohibits the use of 3 pronged adapters.
- 3) Attach air fitting and air supply to the 1/2" fitting behind the safety ball valve.
- 4) Pour blast media through the metal screen on the inside of cabinet into the blast hopper. We suggest 10-25 lbs. of blast material. Overfilling will create problems with the material properly flowing to the gun system.
- 5) Place part to be blasted on metal grate.
- 6) Turn switch on, this will operate the light & dust collector.
- 7) Depress foot pedal. Keep the blast spray pattern moving across your part for best results.

Trouble Shooting

<u>Problem</u>	<u>Cause</u>	<u>Remedy</u>
Excessive Dust	Dust collection system failing	Clean out canister and/or replace filters.
	Too much blasting material Blasting material worn	Remove excess material Replace with new material
Surging	Too much blasting material	Remove excess material
Inadequate Blast	Blast material worn	Replace with new material
	Gun parts worn	Replace with new nozzle & orifice
	Blast material worn	Replace with new material
	Too much air	Regulate air to 80-100 psi
Static	Change in humidity	Stand on cardboard/rubber mat Install static electric band.
	Faulty ground wiring	Check electrical wiring Get lined gloves
Unit Won't Blast	Excessively worn gun parts.	Replace parts and be sure they are in the proper place.



Warranty:

Cyclone abrasive blast cabinets are warranted against defects in workmanship or materials in accord with the following terms:

- * Warranty extends to the original owner only.
- * Warranty does not cover blast cabinets used in commercial rentals.
- * Warranty is valid for one year (1) following the date of purchase.
- * Warranty does not cover standard wear items such as the nozzle, orifice, blasting material, window glass and gaskets.
- * Warranty does not cover misuse of blast cabinet **This includes failure to follow instructions.**
- * Warranty does not cover blast unit if altered or otherwise changed from original state from the Factory.
- * **WARRANTY DOES NOT COVER DAMAGES IN TRANSIT. IN SUCH CASES, THE RECEIVER SHOULD CONTACT THE FREIGHT CARRIER WITHIN 15 DAYS OF DELIVERY TO FILE A CLAIM. IT IS NOT THE RESPONSIBILITY OF THE MANUFACTURER TO FILE THE CLAIM. IF ANY PARTS SHOULD BE REQUIRED TO FIX A FREIGHT DAMAGED UNIT, THE RECEIVER WILL BE BILLED ACCORDINGLY. THIS BILL CAN THEN BE TURNED OVER TO THE FREIGHT CARRIER.**

USERS SHOULD CALL THEIR DISTRIBUTOR OR THE FACTORY UPON INSPECTION OF ANY PROBLEM. A TECHNICAL PERSON CAN ASSIST YOU.

This warranty grants the user certain legal rights. Users and purchasers may also be protected by other rights that vary with location.

Note: Except for the warranties set forth above, Cyclone makes no other warranties of any kind-express or implied. Including warranties of merchantability of fitness of product for a particular purpose.

Replacement Parts List and Accessory Listing

4056	Door Gasket (Spec. Model)	2001	Window Glass
2004	Lid Gasket (Spec. Model)	2010	Glove Clamp
2011	Plastic Glove Insert	2013	3/8" ID Air Hose
2015	Pick Up Hose	2027	Window Frame
2028	Door Handle Assembly	2048	Pack of 12 Mylar Sheets* (2 Shts Per unit)
7000	20 CFM Complete Gun Assembly	7010	Nozzle Holder
7008	20 CFM Tungsten Carbide Nozzle	7004	20 CFM Orifice
2031	Foot Pedal Assembly	7011	14 CFM Ceramic Nozzle*
7077	14 CFM Orifice*	7080	14 CFM Tungsten Carbide Nozzle*
2040	Gas Assisted Spring		

***Items marked (*) are accessories and DO NOT COME STANDARD WITH THIS UNIT. They may be purchased separately.**