

Eastwood[®]

DO THE JOB RIGHT.[®]

Part #31337

3/8" DRIVE MICROMETER TORQUE WRENCH

INSTRUCTIONS



The **3/8" DRIVE MICROMETER TORQUE WRENCH** is a heavy-duty professional quality, click-type Torque Wrench, ruggedly designed for many years of reliable service. It features all metal construction to ensure durability. The 10 to 80 Foot Pound Range is perfect for light automotive applications.



CONTENTS

- (1) Torque Wrench
- (1) Heavy Duty Blow Molded Storage Case

SPECIFICATIONS

- Range:** 10 to 80 ft-lbs in 0.25 ft-lb increments
- 3/8" Drive
- 24 Tooth, Reversible Ratchet
- +/- 4% Clockwise Accuracy, +/- 6% Counter-Clockwise Accuracy

SAFETY INFORMATION

The following explanations are displayed in this manual, on the labeling, and on all other information provided with this product:

DANGER

DANGER indicates a hazardous situation which, if not avoided, will result in death or serious injury.

WARNING

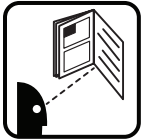
WARNING indicates a hazardous situation which, if not avoided, could result in death or serious injury.

CAUTION

CAUTION used with the safety alert symbol, indicates a hazardous situation which, if not avoided, could result in minor or moderate injury.

NOTICE

NOTICE is used to address practices not related to personal injury.



READ INSTRUCTIONS

- Thoroughly read and understand this manual before using.
- Save for future reference.



WARNING INJURY HAZARDS!

- This tool creates high amounts of leverage while in operation, Wear ANSI approved eye protection and heavy duty work gloves at all times while operating.
- Over torqueing can cause part and/or fastener failure.
- Read and understand all manufacturer's instructions and torque specs for the vehicle or object which the fastener is being torqued. Failure to do so could cause property damage or personal injury.



CAUTION INJURY HAZARDS!

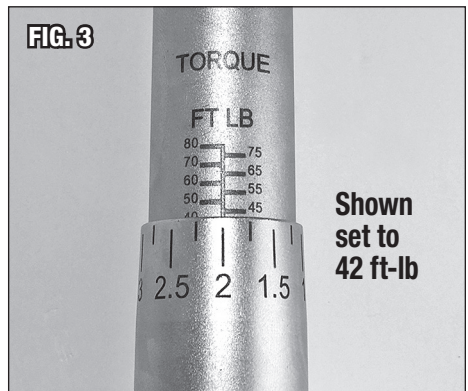
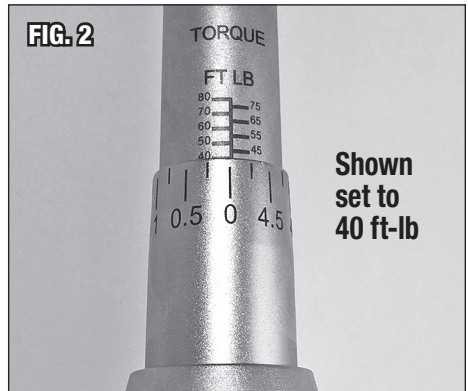
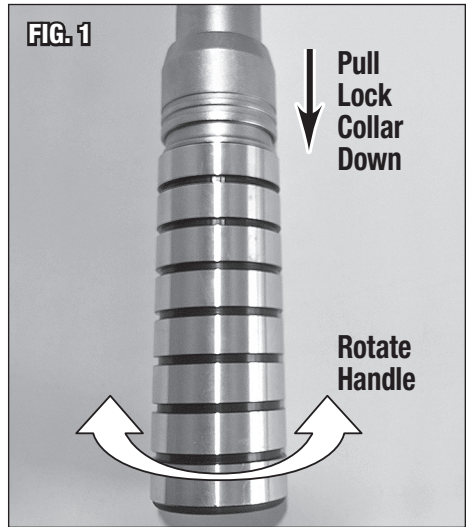
- Do not use for loosening and installing fasteners. Use only for tightening a fastener to the recommended torque.
- Do not extend handle by use of a pipe or other means. Doing so may cause damage or personal injury.
- Inspect before every use, if tool appears damaged do not use.
- Ensure all sockets and ancillary tools used in conjunction with this torque wrench are rated to handle the intended torque setting.

SETTING THE TORQUE WRENCH

1. To unlock, pull the Lock Collar towards the Hand Grip (**FIG 1**).
2. While holding the Lock Collar back, turn the handle clockwise to the desired torque value. To select the desired torque, turn the handle until the "0" aligns with the major graduation (**FIG 2**), then continue turning until the desired minor graduation is in line with the barrel center line (**FIG 3**).
3. Release the Lock Collar. Rotate the grip slightly until the Lock Collar springs forward and locks.
4. The wrench is now set for operation.

⚠ NOTICE

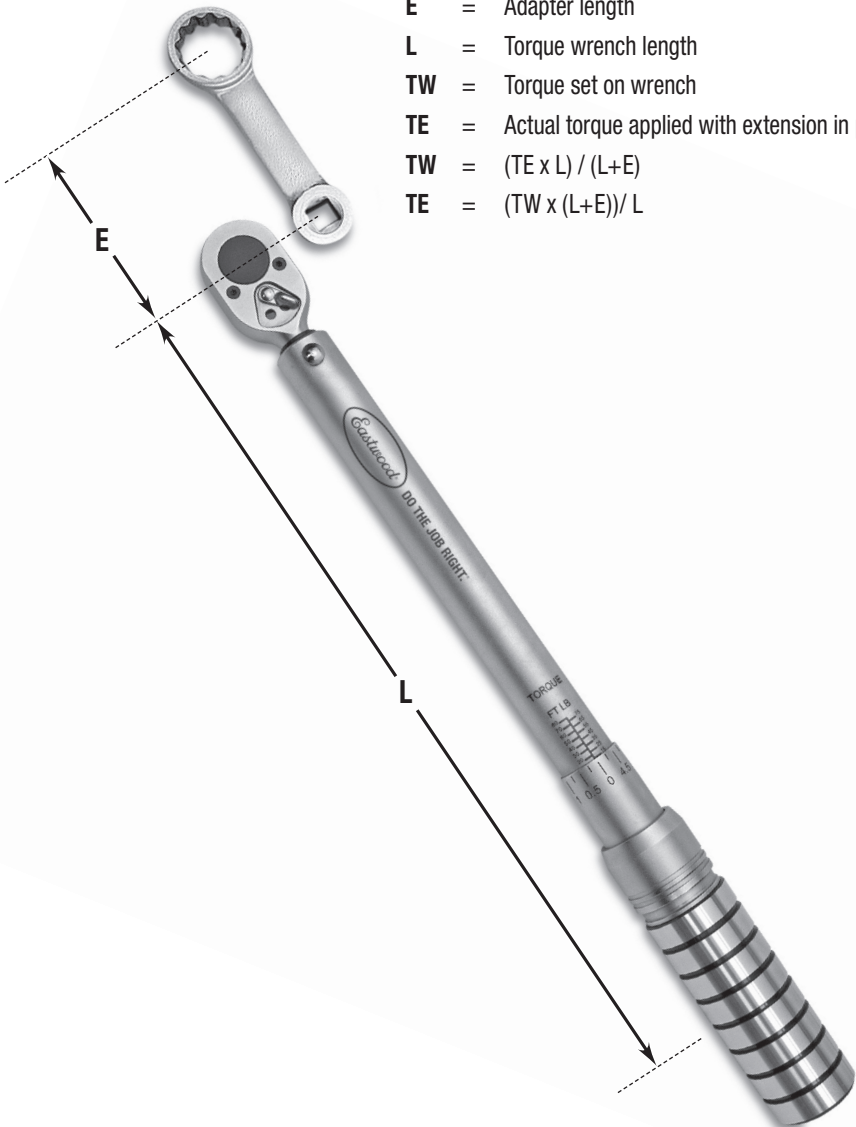
Do not turn the handle below the minimum torque setting or above the maximum torque setting.



SETTING THE TORQUE WRENCH WITH TORQUE ADAPTERS

If a Torque Adapter is being used, the effective lever length will change with the addition of the adapter. Use the equations below to calculate the torque setting adjustments necessary.

NOTE: Socket Drive Extensions must be placed directly in line with the drive mechanism of the torque wrench, as shown.



- E** = Adapter length
- L** = Torque wrench length
- TW** = Torque set on wrench
- TE** = Actual torque applied with extension in place
- TW** = $(TE \times L) / (L+E)$
- TE** = $(TW \times (L+E)) / L$

OPERATION

1. Set Torque Wrench to the desired value (See section: Setting the Torque Wrench).
2. Install appropriate socket and secure the socket on the fastener.
3. Center hand on the hand grip and apply a steady force in the desired direction until a click is felt or heard. **Immediately stop pulling once the click is felt or heard.** The fastener is now torqued to the desired setting.
4. This tool will not prevent you from applying more torque than the tool is set for. Do not continue to apply force once the tool setting has been reached. Never apply more torque than the maximum scale reading.
5. When applying pressure to the wrench, hold by the grip only. Never apply pressure to the body of the wrench.
6. If, at high torque settings, both hands are necessary to apply enough pressure, hold the grip in one hand and put the other hand on top of the first hand.
7. After each use, pull Lock Collar and rotate handle counterclockwise until the Torque Wrench is at its lowest setting. This will ensure the torque wrench will stay in calibration as long as possible.

MAINTENANCE

- Before each use inspect the condition of the tool for damage.
- This Torque Wrench was calibrated and tested during production. This is a precision instrument that requires regular re-calibration to maintain peak accuracy.
- After each use ensure that the wrench is set to its lowest torque setting.
- If the Torque Wrench has not been used or has been in storage for some time, operate it several times at a low torque setting to permit the internal lubricant to re-coat working parts.
- Periodically coat tool with a rust preventative coating such as a light machine oil.

NOTICE

Do not drop Torque Wrench. If Torque Wrench is dropped, re-calibration will be necessary to ensure accuracy.

If you have any questions about the use of this product, please contact

The Eastwood Technical Assistance Service Department: 800.544.5118 >> email: techelp@eastwood.com

PDF version of this manual is available online >> eastwood.com/31337manual

The Eastwood Company 263 Shoemaker Road, Pottstown, PA 19464, USA

US and Canada: 800.345.1178 Outside US: 610.718.8335

Fax: 610.323.6268 eastwood.com