



DO THE JOB RIGHT.®

Item #31652

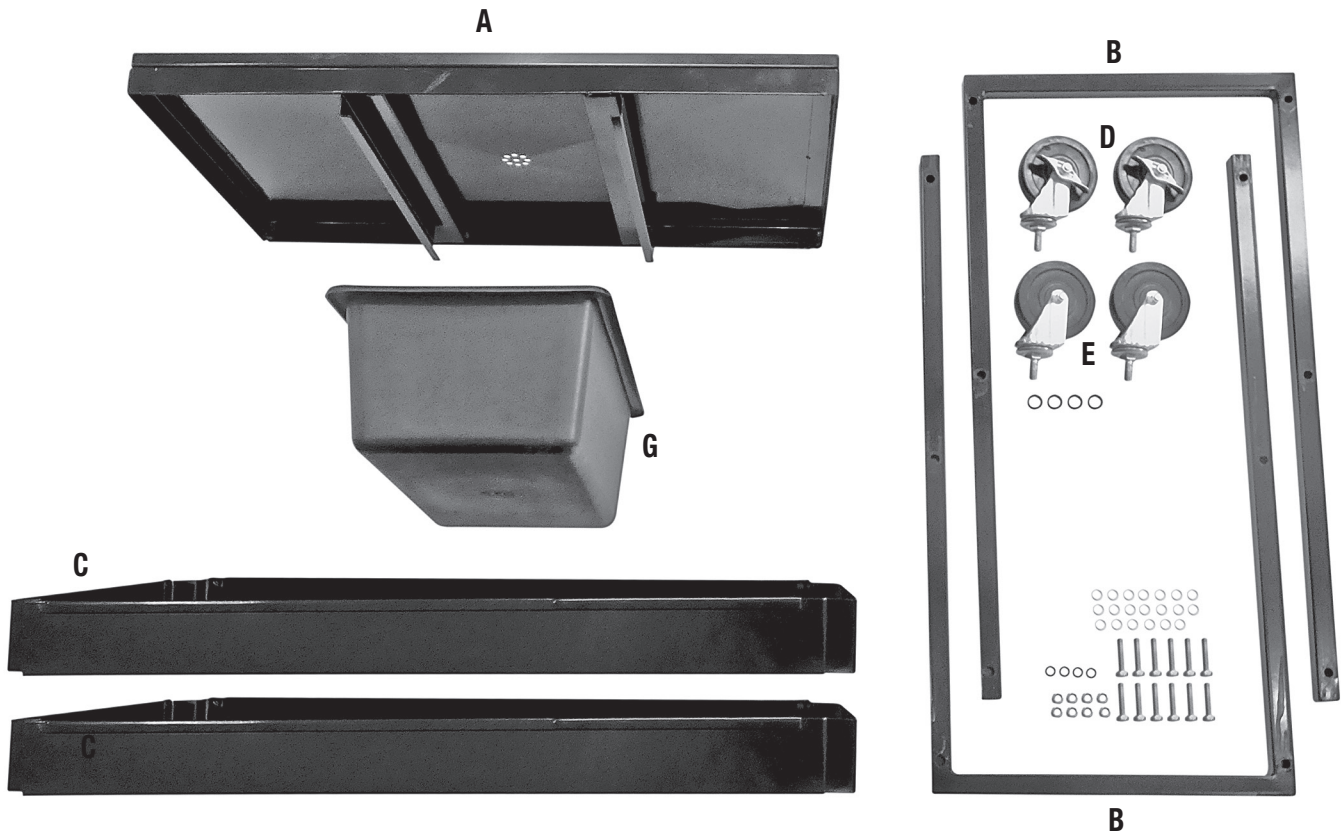
TEAR DOWN TABLE INSTRUCTIONS



The **EASTWOOD TEAR DOWN TABLE** features a spacious, powder coated, steel work surface with integral drain and a solvent-resistant polyethylene Fluid Containment Basin. The heavy, all steel support structure and 4" swivel casters support up to a total loaded weight of 250 lbs. [113kg.] yet is completely portable for rolling to the job and between project storage.

CONTENTS

- | | |
|----------------------------------|-----------------------|
| (1) Work Top - [A] | (12) M8 x 40mm, Bolts |
| (2) Side Frame Assemblies - [B] | (20) M8 Flat Washers |
| (2) Shelf Trays - [C] | (4) M8 Lock Washers |
| (2) Locking Swivel Casters - [D] | (8) M8 Nuts |
| (2) Swivel Casters - [E] | (4) M12 Lock Washers |
| (1) Fluid Basin - [G] | |



TOOLS REQUIRED

- 14mm wrench
- 13mm wrench
- 19mm wrench

SAFETY INFORMATION

The following explanations are displayed in this manual, on the labeling, and on all other information provided with this product:

⚠ DANGER

DANGER indicates a hazardous situation which, if not avoided, will result in death or serious injury.

⚠ WARNING

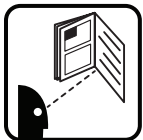
WARNING indicates a hazardous situation which, if not avoided, could result in death or serious injury.

⚠ CAUTION

CAUTION used with the safety alert symbol, indicates a hazardous situation which, if not avoided, could result in minor or moderate injury.

⚠ NOTICE

NOTICE is used to address practices not related to personal injury.



⚠ READ INSTRUCTIONS

- Thoroughly read and understand this manual before using.
- Save for future reference.



⚠ WARNING FALL HAZARD!

- Awkward, out of balance body positions may be attempted while trying to reach specific areas of objects placed on the Tear Down Table during use. Failure to ensure proper footing can quickly result in a fall which could inflict serious personal injury or property damage.
- This Tear Down Table is designed for use in dismantling mechanical components only.
 - **DO NOT** concentrate a heavy load to any corner or edge of the Tear Down Table. This can cause the balance to shift suddenly, tipping the Tear Down Table forward which can quickly cause severe injury!
 - **DO NOT** exceed the rated 250 lbs. [113kg.] weight capacity.
 - **DO NOT** use as a seat.
 - **DO NOT** stand on the Tear Down Table.
 - **DO NOT** use the top of the Tear Down Table as a storage surface.



⚠ CAUTION PINCH HAZARD!

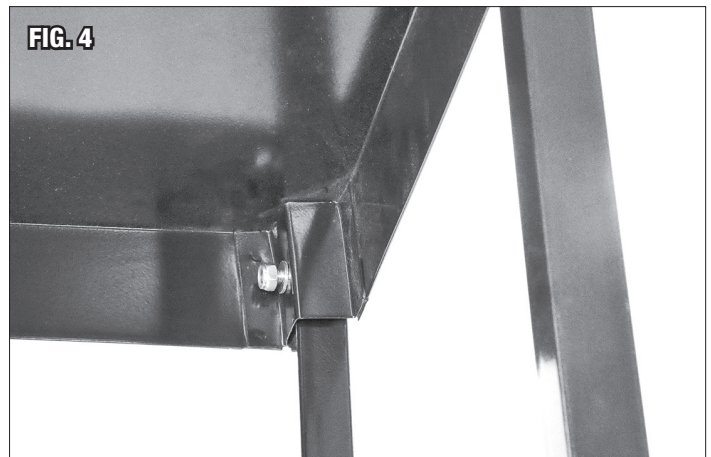
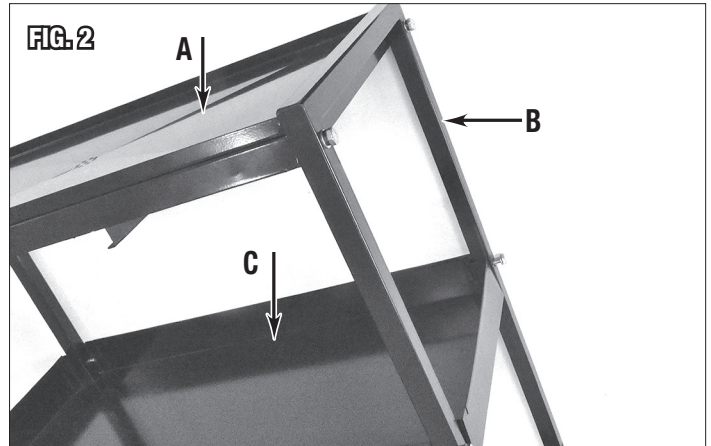
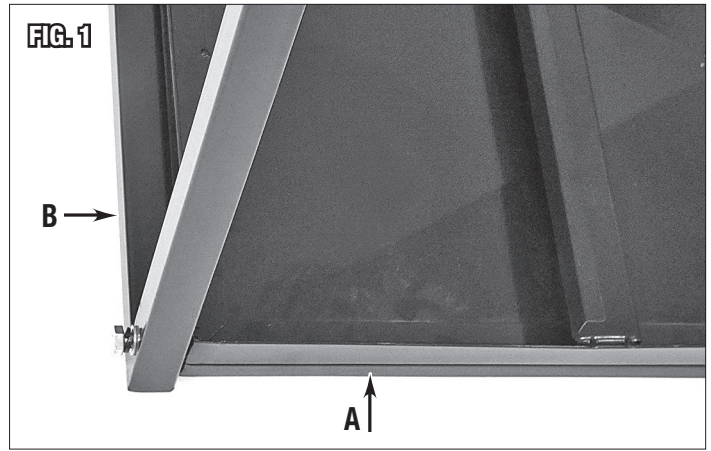
- This Tear Down Table has moveable components that can crush and pinch. Keep fingers and hands away from pinch points when operating.

ASSEMBLY

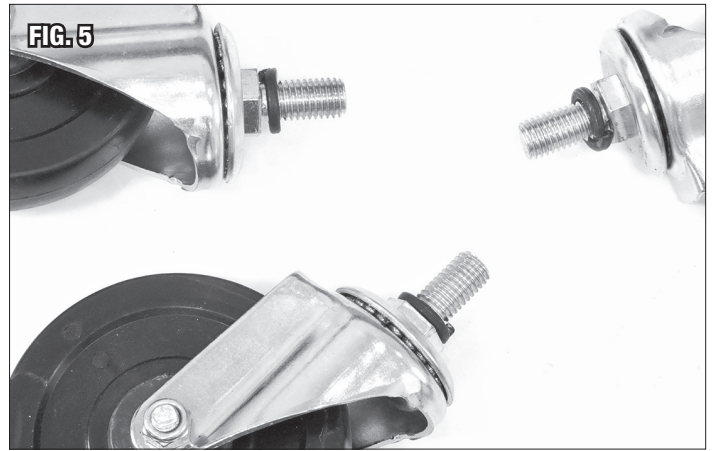
⚠ CAUTION

The Eastwood Tear Down Table consists of cumbersome metal components. Avoid pinching hands while handling parts during assembly. Obtaining the assistance of a helper during assembly is recommended.

- Begin by placing the Drain Work Top [A] upside down on a soft surface. **NOTE:** The cardboard carton provides an excellent scratch-resistant work surface.
- Set the “U” section of a Side Frame [B] with the punched corner holes aligned with the threaded holes in the ends of the Drain Work Top [A]. Thread in two M8 x 40mm Bolts with two M8 Lock washers and secure with a 14mm wrench (**FIG 1**).
- Repeat for 2nd Side Frame [B].
- Lie the Drain Top and Side Frames assembly [A & B] over on one side.
- Place eight M8 Flat Washers under the heads of the eight M8 x 40mm Bolts.
- Drop in one of the two identical Shelf Trays [C] with the open side up, then align the four punched holes in the corner notches with those in the middle of the Side Frames (**FIG 2**).
- With threads facing inward, insert four of the eight M8 x 40mm Bolts with Washers into the open holes of the Side Frames and Shelf Tray (**FIG 3**).
- In this sequence, place four more M8 Flat Washers over the threads of M8 x 40mm Bolts, then thread on the M8 Nuts (**FIG 4**). Tighten all hardware with 14mm & 13 mm wrenches.
- Repeat with the remaining Shelf Tray and hardware [C].
- Once again turn the assembly upside down for caster installation (**FIG 6**).



- Slip the four M12 Lock washers over the threaded Caster studs (**FIG 5**).
- Casters **[D]** & **[E]** may be added to the Side Frame Assemblies at this time. Thread two Locking Swivel Casters **[D]** to the same side legs and tighten with a 19mm wrench (**FIG 6**).
- Thread two Swivel Casters **[E]** to the opposite pair of Legs and tighten with a 19mm wrench (**FIG 6**).
- Carefully raise and rotate the Tear Down Table so that it may be set down on the Casters.
- Slide the plastic Fluid Basin **[G]** into the Guides under the Drain located at the center of the Drain Work Top **[A]** (**FIG 7**).
- Your Eastwood Tear Down Table is now ready for use.



OPERATION

⚠ CAUTION

DO NOT place heavy components on one extreme corner or edge of the Tear Down Table. This can cause the balance to shift suddenly, tipping the Tear Down Table which can quickly cause severe injury!

- The two Locking Swivel Casters can be locked by pressing down on the Brake Lever. This will prevent the Tear Down Table from moving. To release brake feature, lift-up on Brake Lever.

⚠ CAUTION

Store the Tear Down Table on a flat, level surface only to prevent possible unattended rolling and property damage.

MAINTENANCE

- Always remove and empty the Fluid Basin to avoid hazardous material spills.
- Periodically clean Fluid Basin and Drain Work Top of accumulated grease, fluids or other debris.
- The Tear Down Table is finished in rugged powdercoating which will provide many years of effort free beauty however it is advisable to keep the finish clean and free from excessive dust and dirt.
- Keep the Tear Down Table in a clean and dry environment. DO NOT store it in or expose it to a damp or wet environment.
- Occasionally inspect all components for potential damage and proper alignment. Check all hardware for tightness
- DO NOT use if damage is discovered.

ADDITIONAL ITEMS

#12196Z	Chassis Clean
#30777ZP	Oil Eater Orange Cleaner
#30776ZP	Oil Eater Cleaner
#16201 - #16203	Black Nitrile Gloves
#16204 - #16205	Black Textured Nitrile Gloves
#31571	Rockwood Safety Glasses

If you have any questions about the use of this product, please contact

The Eastwood Technical Assistance Service Department: 800.343.9353 >> email: techelp@eastwood.com

PDF version of this manual is available at eastwood.com

The Eastwood Company 263 Shoemaker Road, Pottstown, PA 19464, USA 800.343.9353 eastwood.com