

# ADJUSTABLE TIRE STEP

## INSTRUCTIONS



The **ROCKWOOD TIRE STEP** allows easy underhood and rooftop access for most pickups, SUV's, high clearance and lifted vehicles. Constructed of fully welded, heavy gauge fabricated steel for rugged reliability.

## SAFETY INFORMATION

The following explanations are displayed in this manual, on the labeling, and on all other information provided with this product:

### **⚠ DANGER**

DANGER indicates a hazardous situation which, if not avoided, will result in death or serious injury.

### **⚠ WARNING**

WARNING indicates a hazardous situation which, if not avoided, could result in death or serious injury.

### **⚠ CAUTION**

CAUTION used with the safety alert symbol, indicates a hazardous situation which, if not avoided, could result in minor or moderate injury.

### **⚠ NOTICE**

NOTICE is used to address practices not related to personal injury.



### **⚠ READ INSTRUCTIONS**

- Thoroughly read and understand these product instructions before using this tool. Failure to follow all warnings can result in product damage or serious physical injury.
- Keep these product instructions for future reference.



### **⚠ DANGER FALL HAZARD!**

Step surface can become slippery.

- DO NOT use in rain or snow conditions. DO NOT use if platform is wet. DO NOT stand on platform with wet shoes.
- Use only on a vehicle located on a flat, level and firm surface. Vehicle parking brake must be set and wheels chocked to prevent movement.
- DO NOT use on a wheel that is jacked.
- DO NOT exceed rated weight capacity of 300lbs [158kg.].
- Use only to support one person.
- Weight must be centered on platform.



### **⚠ CAUTION PINCH HAZARD!**

- To avoid possible personal injury, keep hands and fingers free of moving parts when adjusting or folding Tire Step.

# OPERATION

- Unfold unit so that the Upright Supports are 90° to the Upper Tire Loop and Step platform (**FIG 1**).
- Place Upper Loop up and over top of tire so that the Upper Loop contacts the upper, inner sidewall. The left and right Upright Supports should rest against the outer face of the tire on both sides of the rim.
- The Step should always be at a level position before use.

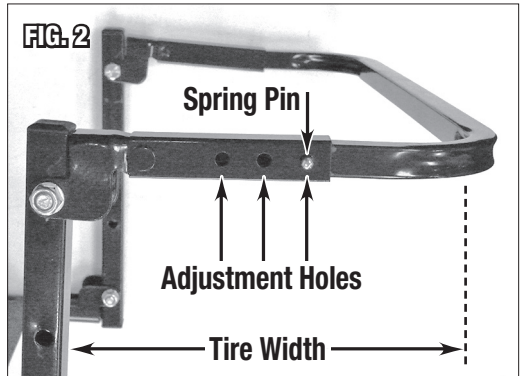
**NOTE:** The Upper Loop is adjustable to accommodate varying tire widths.

### To Adjust Loop width:

Depress both Spring Pins to clear outer Side Member holes then push Loop inward for decreased tire width and pull Loop outward for increased tire width (**FIG 2**).

The Step height may be raised if required by removing the Step pivot bolts, moving pivot points to a higher set located on the Upright Supports and reassembly (**FIG 3**).

- Fits 8" to 10" wide tires.



---

**If you have any questions about the use of this product, please contact**

The Eastwood Technical Assistance Service Department: 800.343.9353 >> email: [techelp@eastwood.com](mailto:techelp@eastwood.com)

PDF version of this manual is available online >> [eastwood.com/31814manual](http://eastwood.com/31814manual)

The Eastwood Company 263 Shoemaker Road, Pottstown, PA 19464, USA

US and Canada: 800.343.9353 Outside US: 610.718.8335

Fax: 610.323.6268 [eastwood.com](http://eastwood.com)