

Eastwood[®]

DO THE JOB RIGHT.[®]

Item #32408

LIGHTING SYSTEM 30W COB LED FLOODLIGHT INSTRUCTIONS



The **EASTWOOD 30-WATT COB LED FLOODLIGHT** is designed using the latest LED technology to achieve the brightest 3000 Lumen light output and most energy efficiency possible. The progressive dimming feature allows infinitely adjustable light output to provide only the light needed while conserving battery power. A solid cast aluminum housing with shock resistant protection provides tactical level reliability. The threaded quick attaching mount design allows for use with optionally available Eastwood Lighting System Tripod.

FEATURES

- Four function Switch:
 - Press once and release, On-High Illumination
 - Press and hold, Dimming
 - Press and hold, Brightening
 - Press and release, Off/On
- 160° adjustable Handle/Stand
- Battery power display function: 3 Color, 4 Segment LED's indicate charge level
- Durable aluminum housing, tough Nylon base
- Works with the optionally available Eastwood Lighting System Tripod
- 15 Volt, 1.0 Amp output AC wall charger with 10ft [3m] cord

CONTENTS

- (1) Eastwood 30-Watt COB LED Floodlight on adjustable pivoting base
- (1) Wall Charger – 120V input, 15 Volt, 1.0 amp output, 10ft. cord



SPECIFICATIONS

- 18650 type, Li-ion, 11.1V, 6600mAh, Integral Rechargeable Battery.
- IP65 moisture resistance rating
- 3000 Lumens light output (high), 300 Lumens light output (lowest dimmer setting)
- 2 hours working time (high), 10 hours working time (lowest dimmer setting)
- 30-Watt COB LED
- 7.5-hour charge time
- 1 Meter drop rating

SAFETY INFORMATION

The following explanations are displayed in this manual, on the labeling, and on all other information provided with this product:

DANGER

DANGER indicates a hazardous situation which, if not avoided, will result in death or serious injury.

WARNING

WARNING indicates a hazardous situation which, if not avoided, could result in death or serious injury.

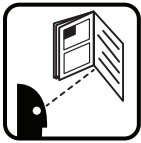
CAUTION

CAUTION used with the safety alert symbol, indicates a hazardous situation which, if not avoided, could result in minor or moderate injury.

NOTICE

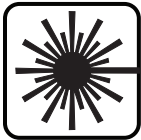
NOTICE is used to address practices not related to personal injury.

SAFETY INFORMATION



READ INSTRUCTIONS

- Thoroughly read and understand this manual before using.
- Save for future reference.



CAUTION EYE INJURY HAZARD!

- DO NOT allow the Eastwood 30-Watt COB LED Floodlight to project directly into eyes. Temporary blindness may occur.
- Never operate or store Lamp in damp or wet conditions.



CAUTION SHOCK HAZARD!

- Keep metal housing of work light away from live electrical sources.



NOTICE

- Only mount on flat, stable surfaces or the optionally available, #32402 Eastwood Lighting System Tripod.
- Keep work light away from excessive heat sources to avoid damage to light.

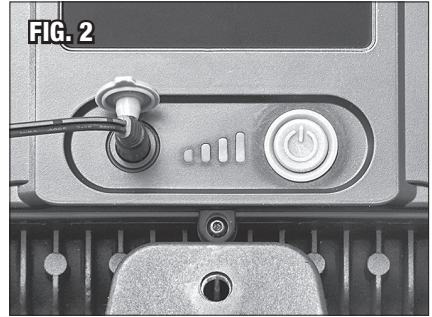
OPERATION

- Grip the Handle/Stand and rotate Lamp through 160° to support or mount lamp.
NOTE: The Handle/Stand design allows for quick attachment on the separately available #32402 Eastwood Lighting System Tripod (not included).
- Depress and release round Switch located at rear of housing once for Full Brightness and a 2nd time for Off (**FIG 1**).
- Depress and hold Switch in for 3 seconds (lamp will blink twice) to gradually dim lamp (will blink twice again when dimmest setting is reached).
- Depress and release again to turn Off, depress and hold to resume full brightness.
NOTE: Default setting is Full Brightness. Switching Off and On quickly at any time will return Lamp to Full Brightness.



CHARGING

- When the Lamp fails to illuminate and/or the 4 Tri-Color (Green, Amber & Red) LED charge level segments at the rear of the housing do not illuminate, a charge is required. Note that the number of illuminated LED's will decrease in number from four to one as the charge depletes.
 - Flip up rubber seal and plug the round terminal of included Wall Charger into rear of Housing (**FIG 2**).
 - Plug wall unit into properly grounded 120 VAC, 60 Hz. outlet
 - Allow 7.5 hours for full charge.
 - The array of 4 Green, Amber and Red LED's at the rear of the Housing will all illuminate to indicate full charge (**FIG 2**).
 - Close Charging Port Cover to maintain IP-65 rating.



CHARGING WHILE IN USE

⚠ WARNING

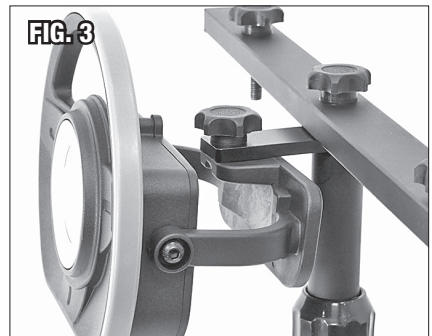
The Lamp may be used while charging however it will significantly extend the required charging time and it will limit light output to 1000 Lumens.

OPTIONAL ACCESSORIES (not included)

#32402 Eastwood Lighting System Tripod

MOUNTING THE EASTWOOD 30-WATT COB LED FLOODLIGHT ON OPTIONAL #32402 EASTWOOD LIGHTING SYSTEM TRIPOD (not included)

- Mounting to the #32402 Eastwood Lighting System Tripod:
 - Insert Thumbscrew into Tripod Mounting Plate hole and thread into Base of the Floodlight (**FIG 3**).
 - Alternatively, two Eastwood 30-Watt COB LED Floodlights may be mounted to the outer holes of the Tripod T-Bar.
 - Adjust as required.



If you have any questions about the use of this product, please contact

The Eastwood Technical Assistance Service Department: 800.343.9353 >> email: tech@eastwood.com

PDF version of this manual is available at eastwood.com

The Eastwood Company 263 Shoemaker Road, Pottstown, PA 19464, USA

800.343.9353 eastwood.com