

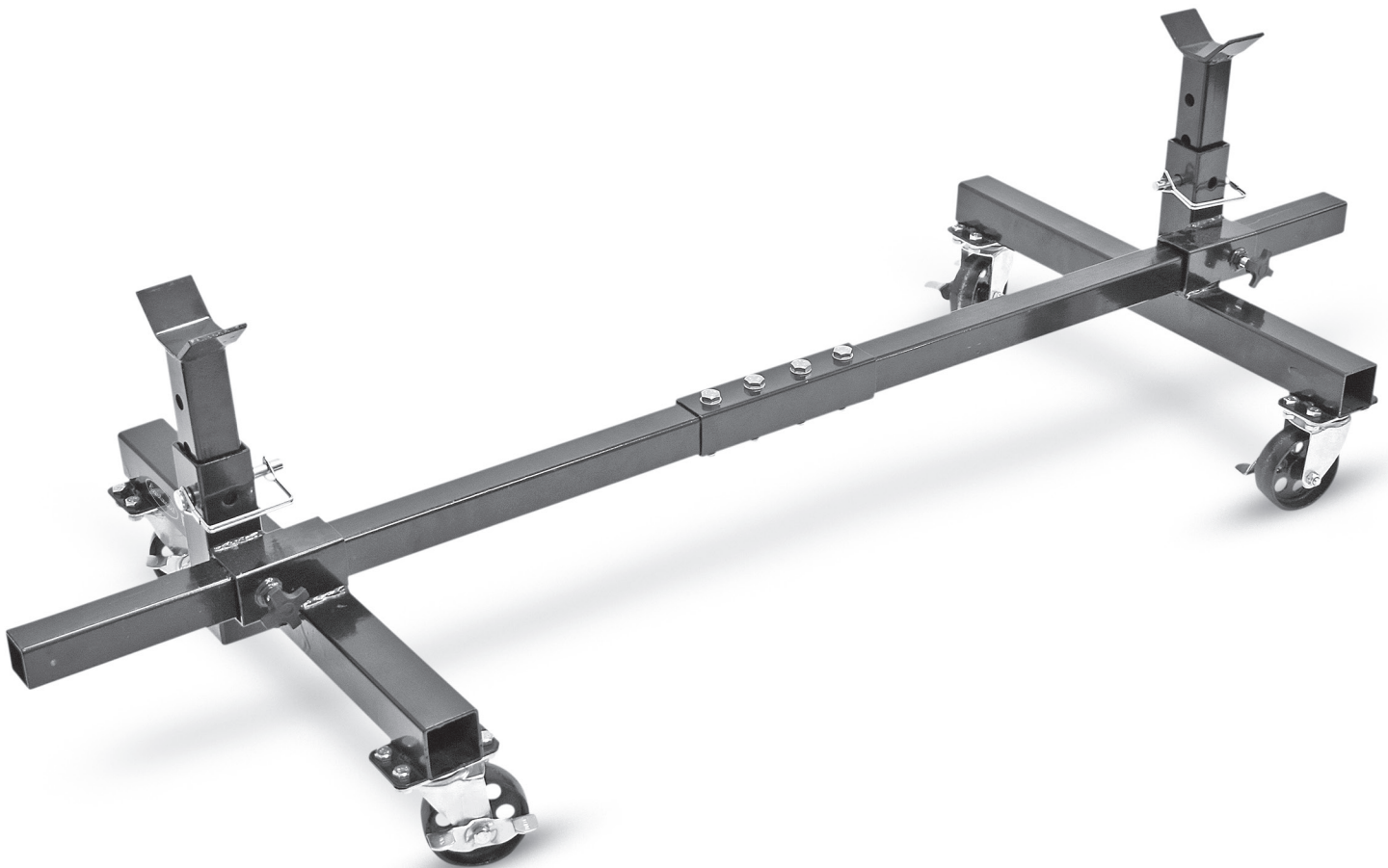
Eastwood[®]

DO THE JOB RIGHT.[®]

Item #54289

SOLID AXLE AND FRAME DOLLY

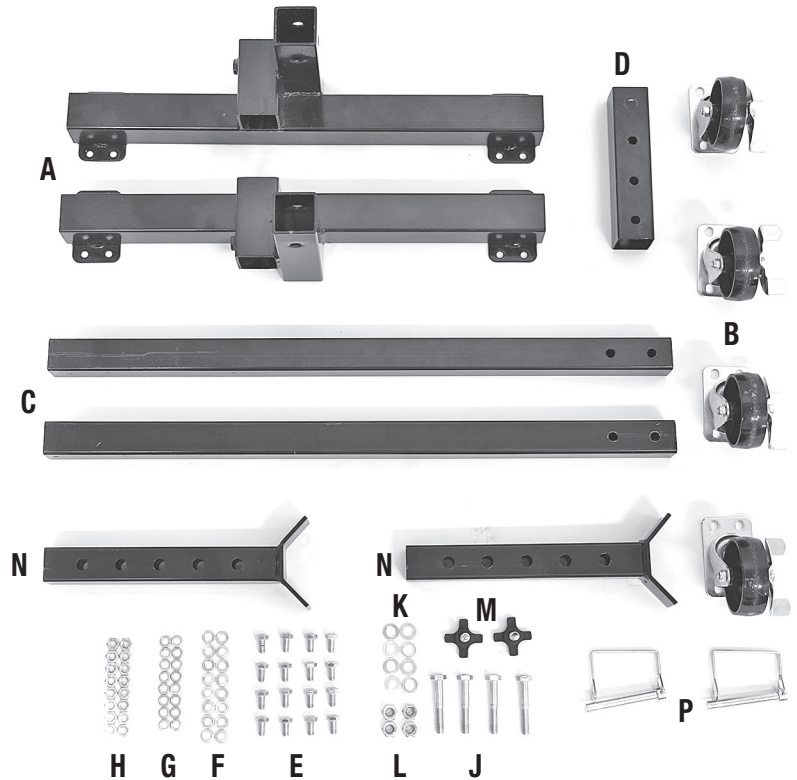
INSTRUCTIONS



The **EASTWOOD SOLID AXLE AND FRAME DOLLY** features an all-steel support structure and steel swivel casters to support up to a total loaded weight of 1500 lbs. [680kg.] yet is completely portable for rolling axle and suspension assemblies to and from the project, or into storage. A generous 13.8" to 57" [350mm - 1450mm] span adjustment will accommodate larger axle and suspension assemblies. When used as a pair, these dollies can support a full-size car or truck frame during restoration and then easily be rolled aside.

CONTENTS

- (2) End Frame Assemblies – [A]
- (4) Locking Swivel Casters – [B]
- (2) Long Frame Tubes – [C]
- (1) Short Connector Tube – [D]
- (16) M8 x 16mm Hex Bolts – [E]
- (16) M8 Washers – [F]
- (16) M8 Lock Washers – [G]
- (16) M8 Nuts – [H]
- (4) M10 x 60mm Hex Bolts – [J]
- (8) M10 Washers – [K]
- (4) M10 Nuts – [L]
- (2) M10 x 25mm Knob Screws – [M]
- (2) Support Cradles – [N]
- (2) Cradle Support Pins – [P]



SPECIFICATIONS

Max. Weight Capacity:	1500lb [680kg]
Overall Clearance Height (Support Cradles at lowest position):	13.4" [340mm]
Overall Extended Height (Support Cradles at highest position):	20.5" [520mm]
Overall Extension Range:	13.8" to 57" [350mm - 1450mm]

SAFETY INFORMATION

The following explanations are displayed in this manual, on the labeling, and on all other information provided with this product:

⚠ DANGER

DANGER indicates a hazardous situation which, if not avoided, will result in death or serious injury.

⚠ WARNING

WARNING indicates a hazardous situation which, if not avoided, could result in death or serious injury.

⚠ CAUTION

CAUTION indicates a hazardous situation which, if not avoided, could result in minor or moderate injury.

⚠ NOTICE

NOTICE is used to address practices not related to personal injury.



⚠ READ INSTRUCTIONS

- Thoroughly read and understand this manual before using.
- Save for future reference.



⚠ WARNING SEVERE INJURY OR DEATH HAZARDS!

- DO NOT attempt to move Solid Axle and Frame Dolly on sloped surfaces while loaded.
- DO NOT use where a large concentration of weight extends beyond the Caster footprint. This can cause the balance to shift suddenly, tipping the Solid Axle and Frame Dolly and its load which can quickly cause severe injury! Any uneven weight bias of the load MUST be known before attempting to place it on the Solid Axle and Frame Dolly.
- DO NOT exceed the rated 1500lb [680kg].weight capacity.
- DO NOT use to support humans or animals.
- DO NOT sit, stand, or ride on the Eastwood Solid Axle and Frame Dolly.
- Use only on a firm, smooth, level and clean work surface. DO NOT use on a sloped or rough textured surface, earth, grass, sand, gravel or any other loose surface.
- DO NOT attempt to raise or lower the Support Cradles while the Solid Axle and Frame Dolly is supporting a load.
- Use only for the intended purpose of supporting or storing a solid axle assembly, suspension assembly or a stripped vehicle frame.
- DO NOT attempt to transport this Solid Axle and Frame Dolly with a load attached by any hauling method.
- DO NOT use with lifting devices and/or chains, cables or ropes that are frayed, twisted, kinked or otherwise damaged.
- DO NOT remove or cover any of the factory supplied labels or warnings! They include specific safety information that must be communicated to future users.



⚠ WARNING FALL HAZARD!

- Awkward, out of balance body positions may be attempted while trying to reach specific areas of objects placed on the Solid Axle and Frame Dolly during use. Failure to ensure proper footing can quickly result in a fall which could inflict serious personal injury or property damage.

⚠ CAUTION PINCH/CRUSH HAZARD!

- Eastwood Solid Axle and Frame Dolly has adjustable components that can crush and pinch. Keep fingers and hands away from pinch points when operating.

ASSEMBLY PREPARATION

⚠ CAUTION INJURY HAZARDS!

The Eastwood Solid Axle and Frame Dolly consists of heavy metal components which can cause potentially serious injuries if allowed to drop. Avoid pinching hands while handling parts during assembly.

- Obtaining the assistance of a helper during assembly is recommended.
- The use of ANSI approved safety shoes, head protection gear and eye protection is recommended.
- Wear sturdy work gloves during assembly and use.

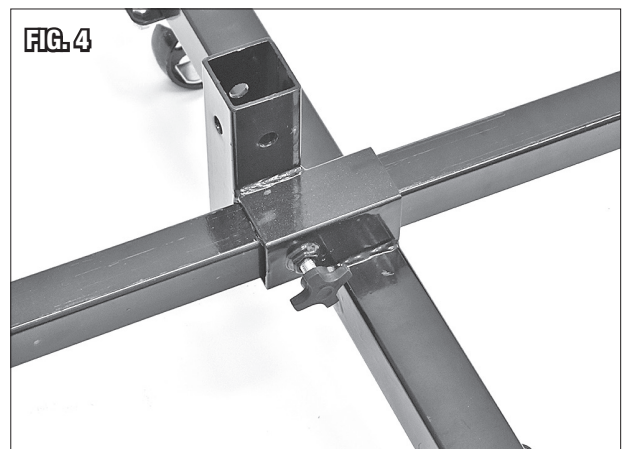
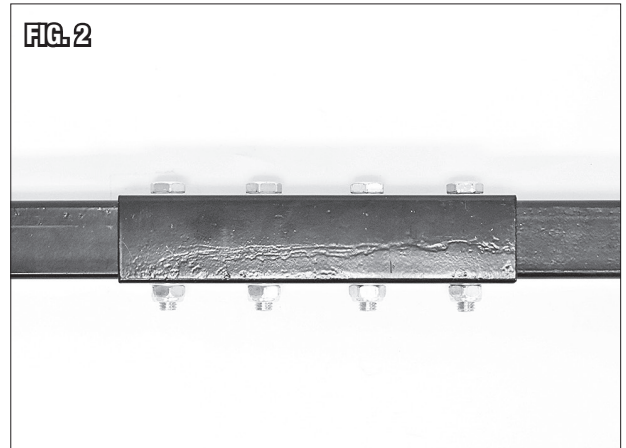
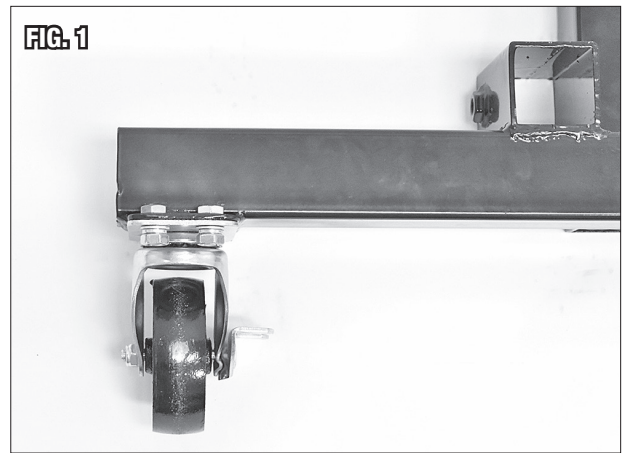
⚠ NOTICE

To prevent scratches and damage to the finish of Axle and Frame Dolly components, it is strongly advisable to use cardboard, carpet, blankets etc. covering a minimum 6' x 6' area before beginning assembly.

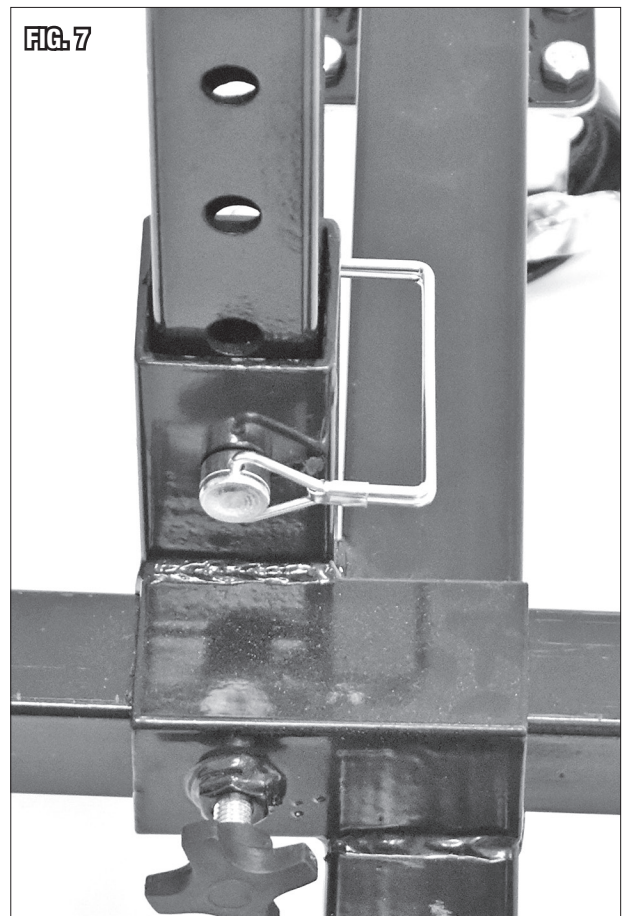
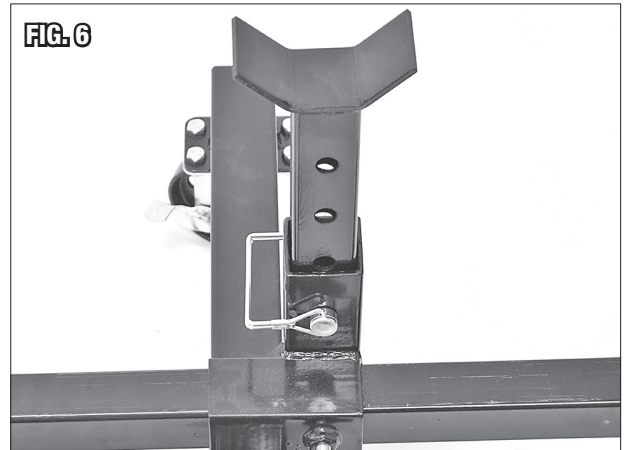
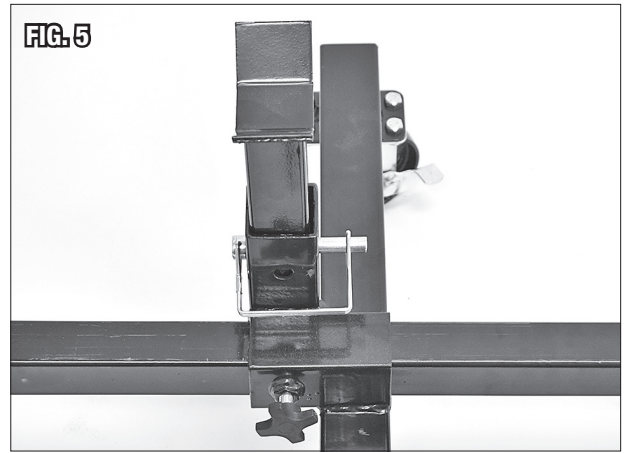
ASSEMBLY

Note that the End Frame Assemblies [A] & Long Frame Tubes [C] are mirror images of one another.

- Attach the Locking Swivel Casters [B] to the square mounting plates of both End Frame Assemblies [A] using the 16 supplied M8 x 16 Hex Bolts [E], Washers [F], Lock washers [G] and Nuts [H] (FIG 1).
- Slide the two Long Frame Tubes [C] into the Short Connector Tube [D] with all through holes aligned. Secure with four sets of M10 x 6mm Bolts [J], Washers [K] and Nuts [L] (FIG 2).
- With the vertical square tubes of the End Frame Assemblies [A] located at the outboard ends, slide the horizontal square tubing over the assembled Frame Tube [C] & [D] (FIG 3).
- Thread the M10 x 25mm Knob Screws [M] into the weld-nuts of the End Frame Assemblies and tighten to set the desired span (FIG 4).



- Select the desired position of the Support Cradles (in-line or 90° to the centerline of the unit), then drop the Support Cradles [N], into the vertical square tubes of the End Frame Assemblies (FIGS 5 & 6).
- Select the desired Support Cradle height and insert the Cradle Support Pins [P] into the appropriate through holes (FIG 7).
- The Eastwood Axle Cart is now ready for use.



SET-UP DOLLY FOR USE

First determine where the Support Cradles would be best located to safely support the subject project axle, suspension assembly or frame.

SPAN ADJUSTMENT:

- Loosen the Knob Screws [M] on both End Frame Assemblies [A] allowing them to slide on the Long Frame Tubes [C] as needed (FIG 8).
- Tighten the two Knob Screws [M] securely.

HEIGHT ADJUSTMENT:

- Withdraw the Cradle Support Pins [P], set the desired Support Cradle [N] height and reinsert the Cradle Support Pins [P] (FIG 9).

⚠ CAUTION

Store the Solid Axle and Frame Dolly on a flat, level surface only, to prevent possible unattended rolling and property damage.

Only release the Castor Locks when moving the Solid Axle and Frame Dolly. The Caster Locks MUST be applied whenever the Solid Axle and Frame Dolly is stationary.

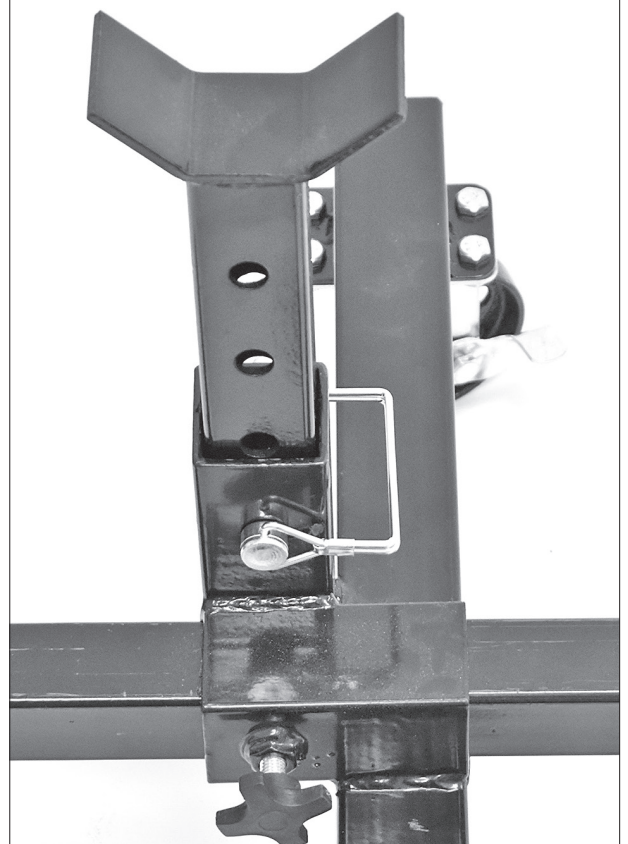
MAINTENANCE

- Keep all moving components of the Eastwood Solid Axle and Frame Dolly well lubricated and free of and dirt or debris accumulations.
- The Eastwood Solid Axle and Frame Dolly is finished in rugged powdercoating which will provide many years of effort free beauty however it is advisable to keep the finish clean and free from excessive dust and dirt.
- Keep the Eastwood Solid Axle and Frame Dolly in a clean and dry environment. DO NOT store it in or expose it to a damp or wet environment.
- Occasionally inspect all components for potential damage and proper alignment. Check all hardware for tightness.
- DO NOT use if damage is discovered.

FIG. 8



FIG. 9



If you have any questions about the use of this product, please contact

The Eastwood Technical Assistance Service Department: 800.343.9353 >> email: tech@eastwood.com

PDF version of this manual is available at eastwood.com

The Eastwood Company 263 Shoemaker Road, Pottstown, PA 19464, USA 800.343.9353 eastwood.com

© Copyright 2021 Eastwood Automotive Group LLC 10/21 Instruction item #54289Q Rev 2