



**DO THE JOB RIGHT.®**

Item #54490

# **BEAD ROLLER STAND**

## **INSTRUCTIONS**



The **EASTWOOD BEAD ROLLER STAND** is designed to fit the Eastwood #32044, 19" Bead Roller (not included), and allows a full 360° field of swivel rotation. Avoid chasing the work, rotate the Bead Roller to the position most comfortable for increased precision and easier operation.

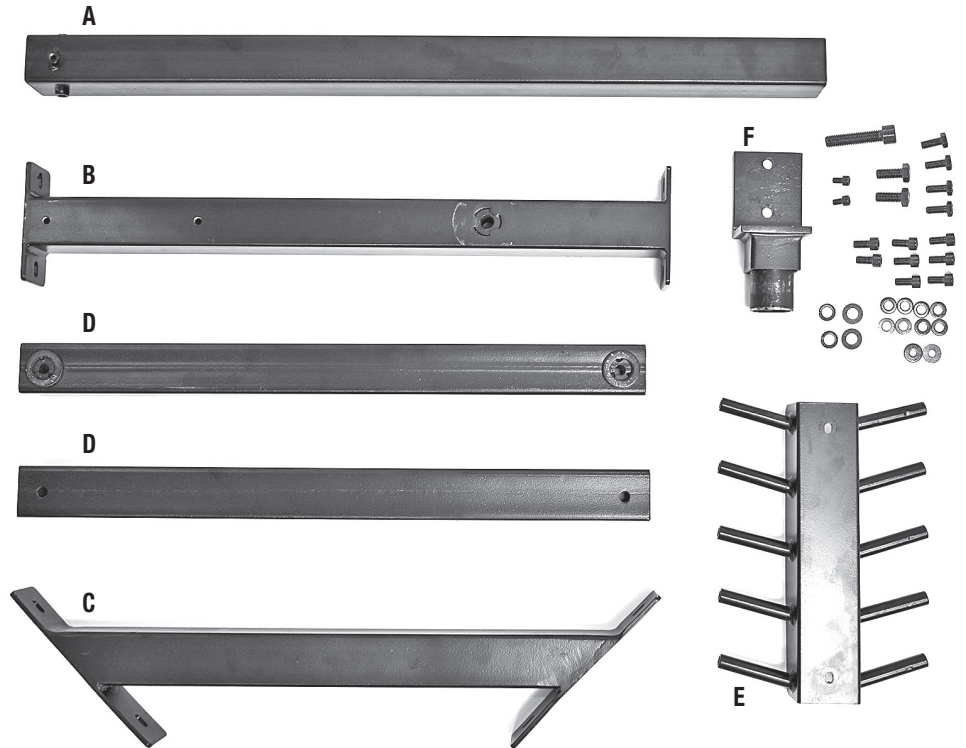
## CONTENTS

### COMPONENTS:

- (1) Upright Post [A]
- (1) Main Member [B]
- (1) Upright Post Brace [C]
- (2) Legs [D]
- (1) Die Rack [E]
- (1) Swivel Head / Bead Roller Mount [F]

### HARDWARE:

- (2) M6 x 1.00 x 10mm Socket Head Cap Screws
- (2) M6 Flat Washers
- (8) M8 x 1.25 x 15mm Socket Head Bolts
- (8) M8 Flat Washers
- (2) M10 x 1.5 x 25mm Hex Head Bolts
- (4) M10 x 1.5 x 20mm Hex Head Bolts
- (2) M10 Lock Washers
- (2) M10 Flat Washers
- (1) M12 x 1.75 x 55mm Socket Head Bolt



# SAFETY INFORMATION

The following explanations are displayed in this manual, on the labeling, and on all other information provided with this product:

## DANGER

DANGER indicates a hazardous situation which, if not avoided, will result in death or serious injury.

## WARNING

WARNING indicates a hazardous situation which, if not avoided, could result in death or serious injury.

## CAUTION

CAUTION indicates a hazardous situation which, if not avoided, could result in minor or moderate injury.

## NOTICE

NOTICE is used to address practices not related to personal injury.



### READ INSTRUCTIONS

- Thoroughly read and understand this manual before using.
- Save for future reference.

### DANGER BEAD ROLLER STAND CAN TIP OR COLLAPSE CAUSING SEVERE INJURY!

- **DO NOT** concentrate a heavy load to either side or end of the Bead Roller Stand or mounted Bead Roller (not included). This can cause the balance to shift suddenly, tipping the Bead Roller Stand and its load which can quickly cause severe injury and property damage!
- **DO NOT** use to support humans or animals.
- **DO NOT** climb on the Bead Roller Stand.
- **DO NOT** use the Bead Roller Stand to support items other than an Eastwood Bead Roller or other Eastwood approved tool
- Use only on a smooth, level, and clean work surface. **DO NOT** use on a sloped or rough textured surface, earth, grass, sand, gravel or any other loose or unstable surface.



### WARNING

- **DO NOT** remove or cover any of the factory supplied labels or warnings! They include specific safety information that must be communicated to future users.



### WARNING FALL HAZARD!

- Awkward, out of balance body positions may be attempted while trying to reach specific areas of objects placed on the Bead Roller Stand during use. Failure to ensure proper footing can quickly result in a fall which could inflict serious personal injury or property damage.



### WARNING TIP HAZARD!

- Use extreme caution while rotating the Head with a mounted load as the large, top-heavy mass of a Bead Roller could result in a sudden imbalance condition and cause the Bead Roller Stand to suddenly tip.
- While rotating, always stand away from the Bead Roller (not included) and Stand. If any indication of instability occurs, **STOP IMMEDIATELY!**



### CAUTION PINCH/CRUSH HAZARD!

- This Bead Roller Stand has moveable components that can crush and pinch. Keep fingers and hands away from pinch points when operating.

# ASSEMBLY PREPARATION

## **⚠ WARNING INJURY HAZARDS!**

The Eastwood Bead Roller Stand consists of moderately heavy metal components (37 lbs. [17 kg.] assembled weight) which can cause injuries if allowed to drop. Avoid pinching hands while handling parts during assembly.

- Obtaining the assistance of a helper during assembly is strongly recommended.
- The use of ANSI approved safety shoes, heavy work gloves and eye protection are necessary.
- Allow sufficient area for operator and helper to remain clear of components when choosing assembly area.

## **⚠ NOTICE**

To prevent scratches and damage to the finish of the Bead Roller Stand components, it is advisable to use cardboard, carpet, blankets etc. covering a 4' x 4' area before beginning assembly. Can cause injuries if allowed to drop. Avoid pinching hands while handling parts during assembly.

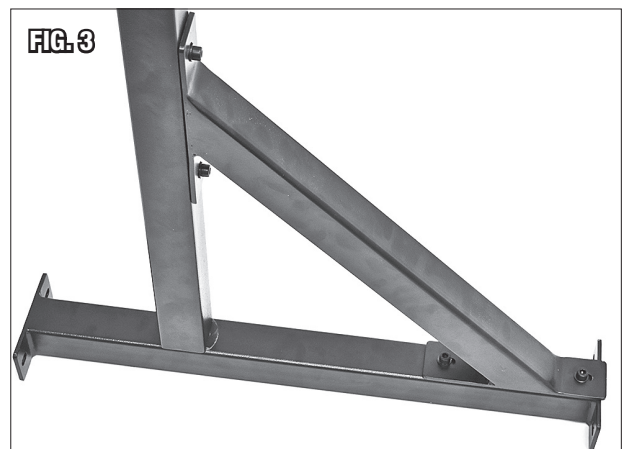
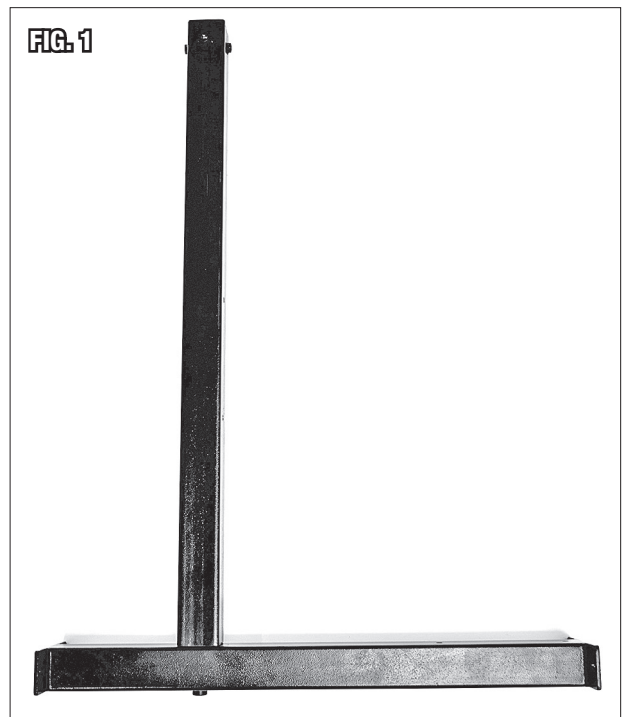
# ASSEMBLY:

## **UPRIGHT POST [A] TO MAIN FRAME MEMBER [B] (FIG 1)**

- Align the through hole located several inches from a flanged end of the Main Frame Member [B] with the welded in nut at the base of the Upright Post [A].
- Insert the M12 x 1.75 x 55mm Socket Head Cap Screw and, thread it into the base of the Upright Post and tighten it securely (FIG 2).

## **UPRIGHT POST BRACE [C] TO UPRIGHT POST [A] AND MAIN FRAME MEMBER [B] (FIG 3)**

- Set the Upright Post Brace [C] in place at a 45° angle with the flanges against the Upright Post [A] and the Main Frame Member [B]. Secure with four M8 x 1.25 x 15mm Socket Head Cap Screws and Flat Washers.



### LEGS [D] TO MAIN FRAME MEMBER [B] (FIGS 4 & 5)

- Align the holes in the flanges the Main Member [B] with the threaded holes in the sides of the Legs [D]. Secure with four M8 x 1.25 x 15mm Socket Head Cap Screws and Flat Washers.

### DIE RACK [E] TO UPRIGHT POST [A] (FIG 6)

- Align the holes in the Die Rack [E] with the 2 M6 threaded holes in the upper side surfaces of the Upright Post [A]. Secure with the two M6 x 1.00 x 10mm Socket Head Cap Screws and Flat Washers.

### SWIVEL HEAD/BEAD ROLLER MOUNT [F] TO UPRIGHT POST [A] (FIG 7)

- Set the cylindrical stem of the Swivel Head/Bead Roller Mount [F] into the bore at the top surface of the Upright Post [A]. Secure with four M10 x 1.5 x 20mm Hex Head Bolts.

## BEAD ROLLER STAND USE

#### **⚠ WARNING**

Only use mounting bolts of the equivalent grade or stronger as those supplied with this Stand to mount a Bead Roller (not included) to this Stand.

#### **⚠ NOTICE** INJURY HAZARD!

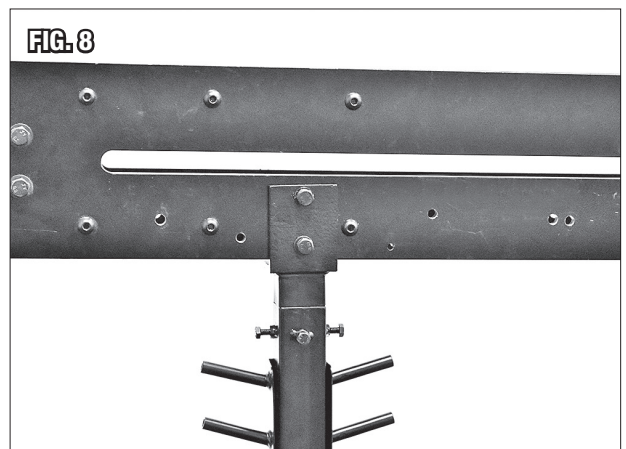
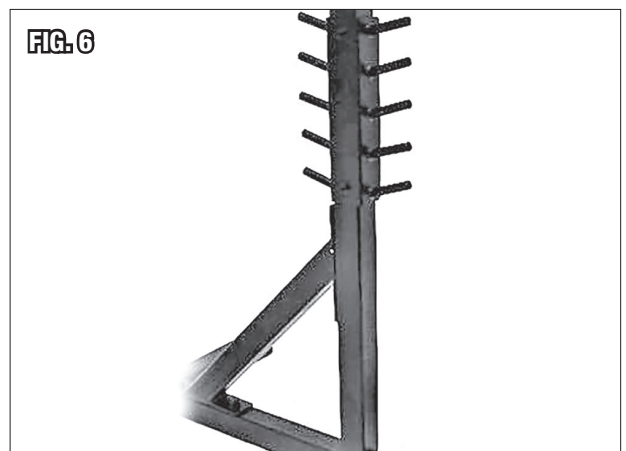
A Bead Roller (not included) is moderately heavy. Obtain the assistance of a capable helper when mounting a Bead Roller to this Stand.

### MOUNTING BEAD ROLLER (NOT INCLUDED) (FIG 8)

- With a helpers assistance, hold the Bead Roller (not included) with the side featuring the M10 threaded holes aligned with the two mount holes in the Swivel Head/Bead Roller Mount [F] and secure with two included M10 x 1.5 x 25mm Hex Head Bolts and M10 Lock washers.

### MAINTENANCE

- The Bead Roller Stand is finished in rugged powdercoating which will provide many years of effort free beauty however it is advisable to keep the finish clean and free from excessive dust and dirt.
- Keep the Bead Roller Stand in a clean and dry environment. **DO NOT** store it in or expose it to a damp or wet environment.
- Before each use, inspect all components for potential damage and proper alignment. Check all hardware for tightness
- DO NOT** use if damage is discovered.







## ADDITIONAL ITEMS

- #51088 Shrinker/Stretch Set
- #13475 Eastwood Electric Metal Shears
- #11797 Throatless Shear
- #14042 Versa Bend Sheet Metal Brake
- #20254 Eastwood 24" Slip Roll
- #43090 Eastwood Safety Goggles
- #21297 Tillman Work Gloves

---

**If you have any questions about the use of this product, please contact**

The Eastwood Technical Assistance Service Department: 800.343.9353 >> email: [tech@eastwood.com](mailto:tech@eastwood.com)

PDF version of this manual is available at [eastwood.com](http://eastwood.com)

The Eastwood Company 263 Shoemaker Road, Pottstown, PA 19464, USA 800.343.9353 [eastwood.com](http://eastwood.com)

© Copyright 2020 Eastwood Automotive Group LLC 11/20 Instruction item #54490Q Rev 1