

*Eastwood*<sup>®</sup>

**DO THE JOB RIGHT.**

Item #55107

# **TIRE STORAGE TREE INSTRUCTIONS**



The **EASTWOOD TIRE STORAGE TREE** features a light, compact design for quick and easy tire storage while retaining the ability to hold a full set of tires. Steel-ball bearing Swivel Casters and a rugged steel frame will support up to a total loaded weight of 275 lbs. [124 kg.] yet is completely portable for long-term storage of tires.

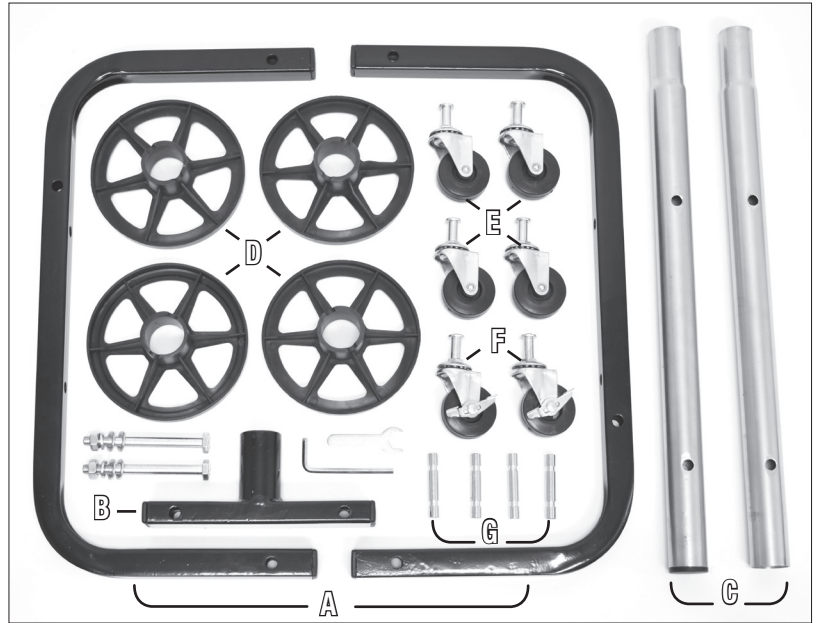
## CONTENTS

### COMPONENTS

- (2) U-Base [A]
- (1) Wheel Pole Upright [B]
- (2) Wheel Poles [C]
- (4) Wheel Rests [D]
- (4) Swivel Casters (Threaded Stem Cap Preinstalled) [E]
- (2) Locking Swivel Casters (Threaded Stem Cap Preinstalled) [F]
- (4) Wheel Rest Pins [G]

### HARDWARE

- (2) M10x110 Shoulder Bolts
- (4) M10 Washers
- (2) M10 Lock Washers
- (2) M10 Nuts
- (1) 5mm Hex Key
- (1) 14mm Flat Wrench



## TOOLS REQUIRED

- 17mm wrench

## SPECIFICATIONS

**Maximum Weight Capacity:** 275 lbs. [124kg.]

# SAFETY INFORMATION

The following explanations are displayed in this manual, on the labeling, and on all other information provided with this product:

## **⚠ DANGER**

DANGER indicates a hazardous situation which, if not avoided, will result in death or serious injury.

## **⚠ WARNING**

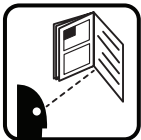
WARNING indicates a hazardous situation which, if not avoided, could result in death or serious injury.

## **⚠ CAUTION**

CAUTION indicates a hazardous situation which, if not avoided, could result in minor or moderate injury.

## **⚠ NOTICE**

NOTICE is used to address practices not related to personal injury.



### **⚠ READ INSTRUCTIONS**

- Thoroughly read and understand this manual before using.
- Save for future reference.



### **⚠ DANGER TIRE STORAGE TREE CAN TIP OR COLLAPSE CAUSING SEVERE INJURY**

- **DO NOT** attempt to mount a top-heavy load.
- **DO NOT** concentrate a heavy load to either side or end of the Tire Storage Tree. This can cause the balance to shift suddenly, tipping the Tire Storage Tree and its load which can quickly cause severe injury and property damage!
- **DO NOT** exceed the rated 275 lbs. [124 kg]. weight capacity.
- **DO NOT** use to support humans or animals.
- **DO NOT** climb on the Tire Storage Tree.
- **DO NOT** use the Tire Storage Tree to support items other than tires.
- **DO NOT** attempt to transport this Tire Storage Tree while loaded by truck, trailer, or any other hauling method.
- Use only on a smooth, level, and clean work surface. **DO NOT** use on a sloped or rough textured surface, earth, grass, sand, gravel or any other loose or unstable surface.



### **⚠ WARNING**

- **DO NOT** remove or cover any of the factory supplied labels or warnings! They include specific safety information that must be communicated to future users.



### **⚠ WARNING FALL HAZARD**

- Awkward, out of balance body positions may be attempted while trying to reach specific areas of objects placed on the Tire Storage Tree during use. Failure to ensure proper footing can quickly result in a fall which could inflict serious personal injury or property damage.



### **⚠ CAUTION PINCH/CRUSH HAZARD!**

- This Tire Storage Tree has moveable components that can crush and pinch. Keep fingers, hands, and feet away from pinch points when operating.

# ASSEMBLY

1. Align the holes on the back of the U-Bases [A] and the holes on the side of the Wheel Pole Upright [B] (Fig. 1). **NOTICE:** Make sure the center caster holes are opposite of each other (Fig. 2).
2. Secure the two U-Bases [A] to the Wheel Pole Upright [B] by inserting the two M10x110 Shoulder bolts, with M10 Washers, through all three members and tightening the M10 Nuts with Washers and Lock Washers (Fig. 3).
3. Insert the Casters [E] up through the bottom of the U-Bases [A]. Insert the Stem Cap from the top and hand tighten (Fig. 4). Use the supplied 5mm Hex Key and Flat Wrench to fully tighten the Stem Cap onto the Casters [E] (Fig. 5). It is recommended to place the Locking Casters [F] on opposite sides of the assembled base (Fig. 6).
4. Connect the Wheel Poles [C] and insert the connected poles into the Wheel Pole Upright [B] (Fig. 7).
5. Starting from the bottom hole in the pole, insert a Wheel Rest Pin [G] into the holes in the Wheel Pole [C], assuring the Pin is resting on the pole within the grooved area on the Pin (Fig. 8).
6. Slide a Wheel Rest [D] down the pole with the flat side pointing up. Rest the Notches in the Wheel Rest [D] on the Pin to secure it in place (Fig. 9).
7. Repeat the previous two steps three more times to assemble the remaining Wheel Rests [D] (Fig. 10).

FIG. 1

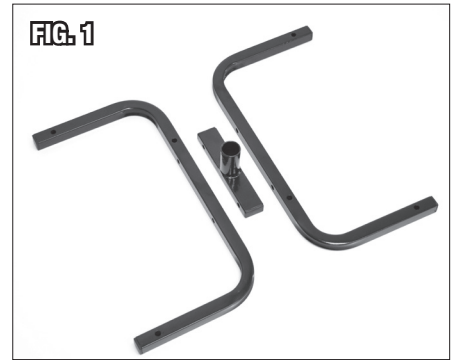


FIG. 2

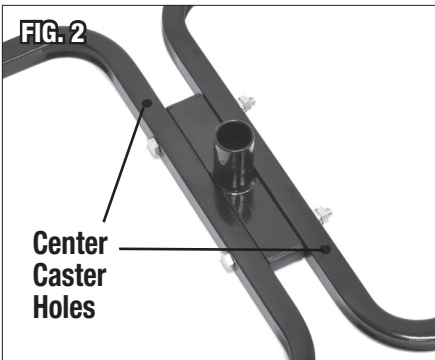


FIG. 3



FIG. 4



FIG. 5



FIG. 6



FIG. 7



FIG. 8



FIG. 9



FIG. 10



## TIRE STORAGE TREE USE:

- Remove all Wheel Rests except for the bottom Rest.
- Slide the wheel from the top down until it is settled on the bottom Wheel Rest.
- Follow the steps in the Assembly section to install another Wheel Rest in the next position on the pole.
- Continue to add tires and Wheel Rests until there is a Maximum of 4 tires on the Tree.

## MAINTENANCE

- The Tire Storage Tree is finished in rugged powder coating which will hold its appearance for many years, however it is advisable to keep the finish clean and free from excessive dust and dirt.
- Keep the Tire Storage Tree in a clean and dry environment. **DO NOT** store it in or expose it to a damp or wet environment.
- Before each use, inspect all components for potential damage and proper alignment. Check all hardware for proper tightness.
- **DO NOT** use if damage is discovered.





## ADDITIONAL ITEMS

- #43090 Eastwood Safety Goggles
- #31504 Eastwood 6 Ton Jack Stand Set
- #21297 Tillman Work Gloves
- #22280 Eastwood 3 Ton Low Profile Heavy Duty Floor Jack
- #31638 Eastwood Swing Arm Tire Changer
- #31639 Eastwood Electronic Tire and Wheel Balancer

---

**If you have any questions about the use of this product, please contact**

The Eastwood Technical Assistance Service Department: 800.343.9353 >> email: [tech@eastwood.com](mailto:tech@eastwood.com)

PDF version of this manual is available at [eastwood.com](http://eastwood.com)

The Eastwood Company 263 Shoemaker Road, Pottstown, PA 19464, USA 800.343.9353 [eastwood.com](http://eastwood.com)

© Copyright 2022 Eastwood Automotive Group LLC 1/22 Instruction item #55107Q Rev 2