

Eastwood[®]

DO THE JOB RIGHT.

Item #55108

TIRE STORAGE WALL RACK INSTRUCTIONS



The **EASTWOOD TIRE STORAGE WALL RACK** will neatly hold multiple tires while maximizing work area space. Designed to allow configuration to fit many size tires, this Tire Storage Wall Rack offers years of reliable service.

CONTENTS

COMPONENTS

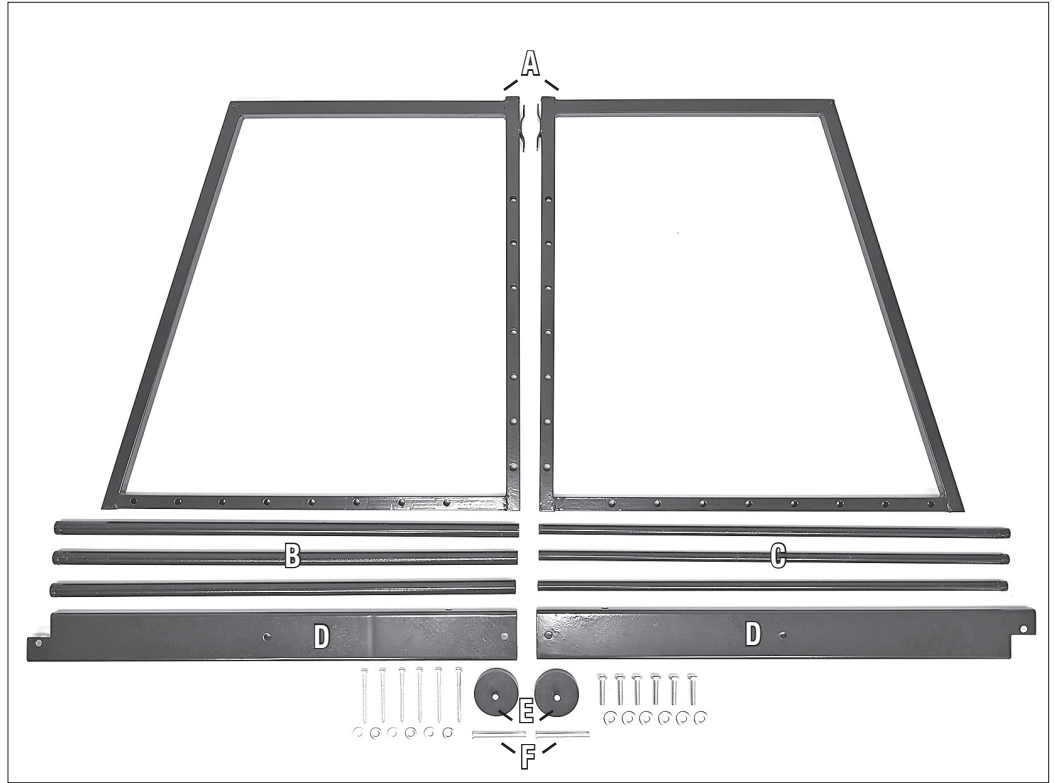
- (2) Frame Members [A]
- (3) Outer Tube Supports [B]
- (3) Inner Tube Supports [C]
- (2) Wall Mount Brackets [D]
- (2) Rubber Buffers [E]
- (2) Frame Stop Pins [F]

HARDWARE

- (6) M8x90 Lag Bolts
- (6) M8 Washers
- (6) M10x45 Hex Cap Screws
- (6) M10 Washers

SPECIFICATIONS

- Frame Dimensions:
 - Height: 28"
 - Width: to 52"
 - Depth: 28.5"
- Weight Capacity: 400 lb. [181 kg]
- Powder Coated finish



SAFETY INFORMATION

The following explanations are displayed in this manual, on the labeling, and on all other information provided with this product:

⚠ DANGER

DANGER indicates a hazardous situation which, if not avoided, will result in death or serious injury.

⚠ WARNING

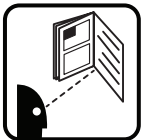
WARNING indicates a hazardous situation which, if not avoided, could result in death or serious injury.

⚠ CAUTION

CAUTION indicates a hazardous situation which, if not avoided, could result in minor or moderate injury.

⚠ NOTICE

NOTICE is used to address practices not related to personal injury.



⚠ READ INSTRUCTIONS

- Thoroughly read and understand this manual before using.
- Save for future reference.



⚠ WARNING SHOCK HAZARD

- Check for possible interference with electrical lines, other utilities or other unseen obstructions before mounting.



⚠ WARNING EXPLOSION HAZARD

- Check for possible interference with gas lines before mounting.



⚠ WARNING INJURY HAZARD

- Do not mount in a location where the Tire Storage Wall Rack may become an obstruction where head or bodily contact could cause injury.



⚠ CAUTION INJURY HAZARD!

- This unit must be securely mounted to a wall capable of supporting the weight capacity to prevent falling which can cause personal injury and property damage. DO NOT exceed the specified weight capacity.



⚠ CAUTION INJURY HAZARD!

- Keep the installation area clutter free, well lit, and free of bystanders.



⚠ WARNING EYE INJURY HAZARD!

- During the installation process material particles, dirt and debris can be ejected at high velocity. Always wear ANSI approved eye protection when installing this Tire Storage Wall Rack.

ASSEMBLY

1. Select a suitable location for mounting the **Tire Storage Wall Rack**.

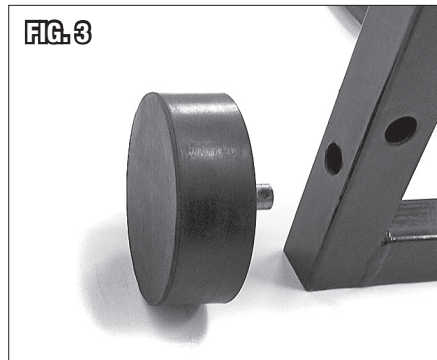
WARNING INJURY HAZARD! Do not mount in a location where the **Tire Storage Wall Rack** may become an obstruction where head or bodily contact could cause injury.

2. Securely attach the Wall Mount Brackets **[D]** to the wall.

WARNING! INJURY HAZARD! The Wall Mount Brackets **[D]** must be securely mounted on a wall capable of holding 400lbs. [181kg.] plus pulling stresses from operation.

If placing unit on a studded wall, attach to studs using pre-punched, 16" spaced holes as a guide. Use the supplied M8x90 Lag Bolts and M8 Washers to attach the Tire Storage Rack to a structural member. If attaching to a solid concrete or hollow block wall, the use of the proper anchors is required.

3. Slide the Frame Members **[A]** into the Wall Mount Brackets **[D]** past the pin holes (**Fig. 1**).
4. Insert the Frame Stop Pins **[F]** into the pin holes (**Fig. 2**).
5. Apply the Rubber Buffers **[E]** to the back of the Frame Members **[A]** (**Fig 3**).
6. Using the M10x45 Hex Cap Screws and Washers, attach the Outer Tube Supports **[B]** and the Inner Tube Supports **[C]** to the Frame Members **[A]** (**Fig. 4**) making sure the Inner Tube Supports **[C]** are inserted in the Outer Tube Supports **[B]** (**Fig. 5**). **NOTE:** The Tube Supports may be mounted in any configuration to properly support the tires being stored on this Rack.
7. Adjust the assembled Tire Storage Wall Rack to the desired width on the Wall Mount Brackets **[D]** (**Fig. 6**).



TIRE STORAGE WALL RACK USE:

- Now that your **Eastwood Tire Storage Wall Rack** is fully assembled and properly mounted to the wall, place the tires to be stored on the Rack. It is recommended to set the width of the rack to just slightly more than the width of the tires so the Rack Side Members will help to secure the tires and hold them in the upright position.

ADDITIONAL ITEMS

- #31638 Eastwood Swing Arm Tire Changer
- #31639 Eastwood Electronic Tire Balancer
- #30535 Eastwood Digital Tire Pressure Gauge
- #32499 Eastwood 50ft Retractable Air Hose Reel
- #31632 Eastwood Air Blow Gun

If you have any questions about the use of this product, please contact

The Eastwood Technical Assistance Service Department: 800.343.9353 >> email: tech@eastwood.com

PDF version of this manual is available at eastwood.com

The Eastwood Company 263 Shoemaker Road, Pottstown, PA 19464, USA 800.343.9353 eastwood.com

© Copyright 2022 Eastwood Automotive Group LLC 3/22 Instruction item #55108Q Rev 2