



Thank you for choosing a Yost Vise. For future reference please record the following:

Model #: L65WW  
Purchase Date: \_\_\_\_\_  
Supplier: \_\_\_\_\_

**I n s p e c t i o n   a n d   A c c e p t a n c e**

Claims for damage, shortage or errors in shipping must be reported within one (1) day following delivery to Buyer. Buyer shall have seven (7) days from the date Buyer receives any products to inspect such products and services for defects and nonconformance which are not due to damage, shortage or errors in shipping and notify Seller, in writing, of any defects, nonconformance or rejection of such products. After such seven (7) day period, Buyer shall be deemed to have irrevocably accepted the products, if not previously accepted. After such acceptance, Buyer shall have no right to reject the products for any reason or to revoke acceptance. Buyer hereby agrees that such seven (7) day period is a reasonable amount of time for such inspection and revocation. Buyer shall have no right to order any change or modification to any product or services previously ordered by Buyer or its representatives or cancel any order without Seller's written consent and payment to Seller of all charges, expenses, commissions and reasonable profits owed to or incurred by Seller. Specially fabricated or ordered items may not be canceled or returned, and no refund will be made. The sole and exclusive remedy for merchandise alleged to be defective in workmanship or material would be the replacement of the merchandise subject to the manufacturer's inspection and warranty.

**Product Specifications:**

1. Technical Statistics:

<u>Model</u>	<u>Item</u>	<u>Jaw</u>	<u>Jaw</u>	<u>Pipe</u>	<u>Throat</u>	
<u>Number</u>	<u>Number</u>	<u>Width</u>	<u>Opening</u>	<u>Capacity</u>	<u>Depth</u>	<u>Weight</u>
L65WW	20065	6.5"	4.5"	N.A.	2.25"	5 lbs

## **IMPORTANT SAFETY INSTRUCTIONS**

Warnings: Misuse of vises can cause serious injury to eyes, hands and or other body parts. Vises must be set up and used properly. Before setup and use, read, understand and follow all instructions outlined below.

ALWAYS make sure bench tops are properly secured.

NEVER use a hammer, extension pipe, or cheater bar on spindle handle of vise.

ALWAYS use proper nuts, bolts and lock washers in all mounting holes, to hold bench vise down.

NEVER unscrew movable jaw beyond maximum specified opening of vise.

ALWAYS use vise of proper size and capacity to hold work object.

NEVER weld base of vise to any metal object.

ALWAYS wear eye, face, and ear protection when striking or using power tools with a vise.

NEVER use a vise to press an object into or out of another object.

ALWAYS wear dust mask or respirator when working with wood, metal, chemical dusts or mists.

NEVER use an extension pipe to tighten handles of lockdowns.

ALWAYS wear restrictive hair covering and anti slip footwear while operating vise.

NEVER place pressurized containers or combustible materials in vise.

ALWAYS hand tighten handles of lockdowns for swivel base.

NEVER wear loose clothing or jewelry while operating vise.

ALWAYS inspect vise for stress fatigue or damage to the vise before using.

N E V E R apply extreme heat or prolong heat to the vise as it may alter structural properties.

ALWAYS maintain the vise – grease main screw regularly.

***If there is any question about a condition being safe or unsafe, do not operate the vise.***

### **Mounting Instructions:**

1. With the help of another person, hold the vise up against the workbench in the desired location. Mark the mountings holes with a pencil.
2. Depending on the thickness of the workbench, you may need to use a shim to add thickness to your workbench or to allow the vise to sit flush.
3. Drill pilot holes into the front of the workbench for the Wood Screws.
4. Drill pilot holes into the bottom of the workbench for the Lag Screws
5. Using the two woodscrews mount the vise to the workbench.
6. Reinforce the vise to the workbench with the 2 lag screws and washers
7. If you are using a shim make sure that the lag screws go completely through the shim and into the workbench.

(Mounting Hardware not included)

### **Optional Jaw Pad Mounting Instructions:**

1. Wooden jaw pads can be added to the vise (not included)
2. Use 4 screws (not included) attach the jaw pads to the vise using the 4 Jaw Pad mounting holes
3. Do not over tighten the screws as that may damage the vise.

### **Operating Instructions:**

1. To open the vise turn the vise handle counter clockwise. This will move the front jaw away from the stationary jaw.
2. To close the vise, turn the vise handle clockwise. This will move the front jaw closer to the stationary jaw
3. To use the quick release feature of this vise, move the lever toward the vise handle. This will disengage the nut and allow you to quickly open or close the vise.
4. The bench dog can be moved in position by loosening the finger bolt on the front of the vise.

### **Maintaining your Vise:**

1. Apply dry graphite or silicon based lubricant to the main screw to keep it operating smoothly and prevents any sawdust from building up in the threads.
2. If saw dust does build up on the vise threads, use a blade or bit cleaner to remove the built up dust.

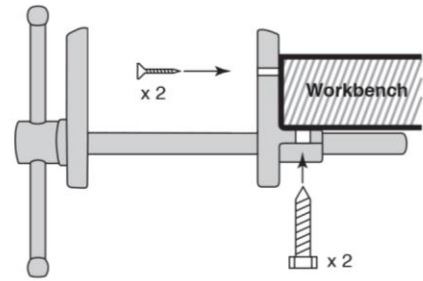


Figure 1 –Mounting Vise to Work Bench

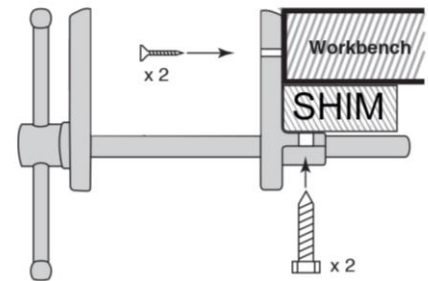


Figure 2 - Mounting Vise to Workbench with Shim

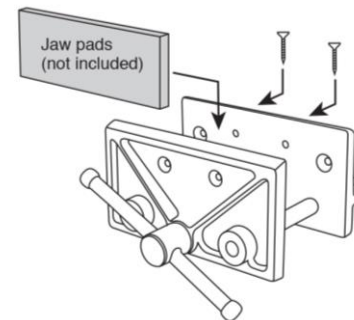


Figure 3 - Attaching Jaw Pads

## PART REFERENCE GUIDE

---

