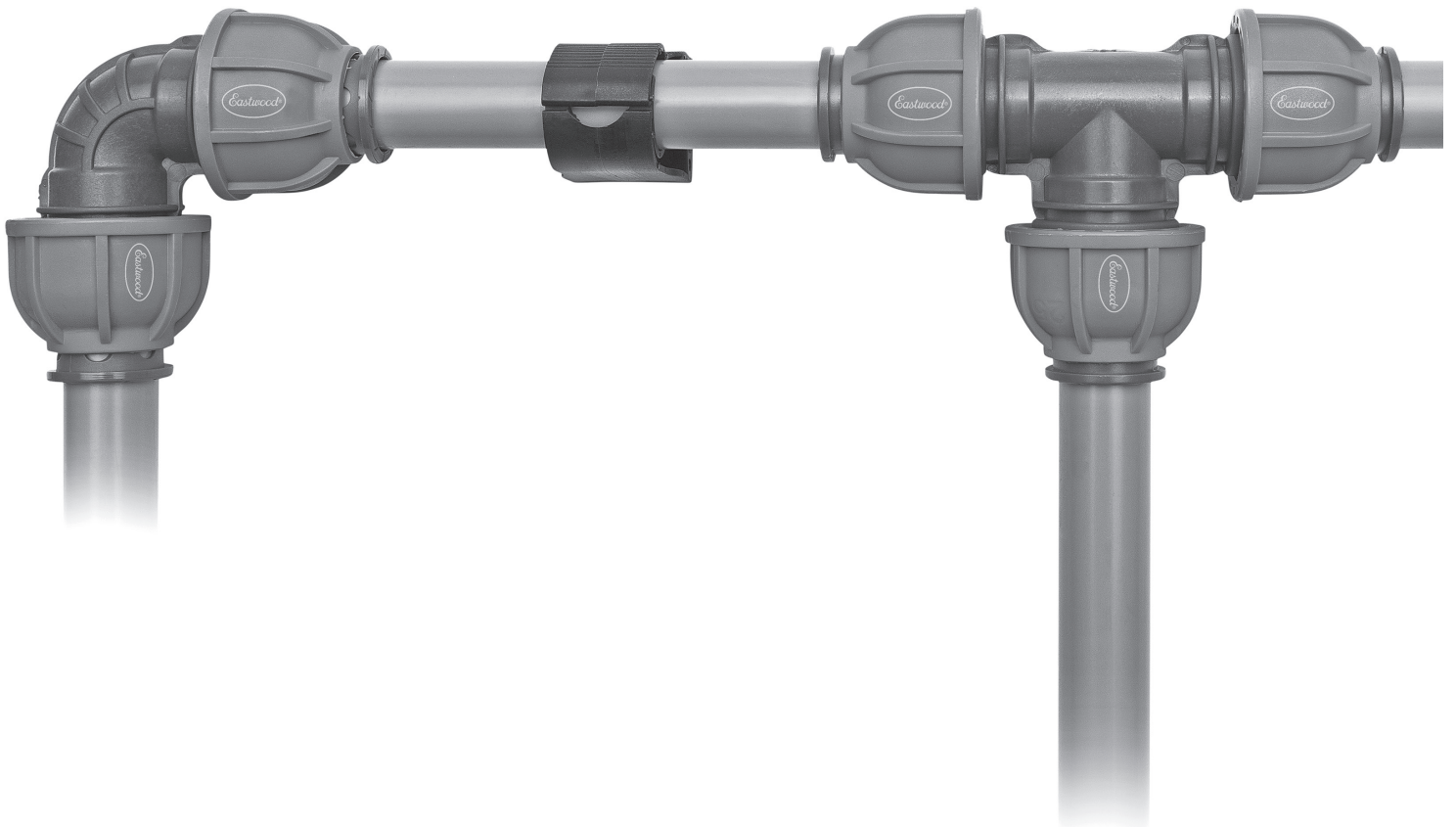


Eastwood[®]

DO THE JOB RIGHT.[®]

Item #72843

AIR PIPING SYSTEM INSTALLATION INSTRUCTIONS



The **EASTWOOD AIR PIPING SYSTEM** is a modular, scalable solution to outfit your garage or shop with air connections at multiple locations. The 1" diameter aluminum piping is high flow, easy to work with, visually appealing, and will last a lifetime. Simple to use fittings are made from PA-6 composite and are available as straight, 90° elbow, tee, ball valve, unions and more. All components can be purchased individually, or save money by buying our pre-configured kits. (Kits do not include pipe. See below for part numbers and kit component listing.) Components meet PED 2014/68/EU pressure equipment standards and UL 94 V-2 flammability standards.

COMPONENTS AVAILABLE

Part No.	Name	70056 Eastwood APS Three Drop Shop Kit	70057 Eastwood APS Six Drop Shop Kit	Description
70041	Eastwood APS 1 Inch Pipe Union	7	7	Good for joining straight sections of pipe.
70042	Eastwood APS 90 Degree 1 Inch Elbow	5	5	For turning pipe around a corner or diverting up/down.
70043	Eastwood APS 1 Inch Tee	2	5	Add a T for your air drop downs.
70044	Eastwood APS 1 Inch Tee with 1/2 Inch Threaded Port	-	-	Thread on a fitting or flex pipe with the female 1/2" pipe thread socket.
70045	Eastwood APS 1 Inch to Female 1/2 Inch Threaded Union	-	-	Ideal for pipe ends to attach hoses or air tool fittings to 1/2" female pipe thread with integral ball valve.
70046	Eastwood APS 1 Inch to Male 1/2 Inch Threaded Union	3	6	Same as above but 1/2" male pipe thread.
70047	Eastwood APS 1 Inch Ball Valve	-	-	Join straight sections of pipe and add a high flow ball valve to separate systems.
70048	Eastwood APS 1/2 Inch Threaded Wall Plate	3	6	Distribution block with three 1/2 female pipe thread ports for making a dual port drop down.
70049	Eastwood APS 1 Inch Pipe Mount	20	30	Use every 4' to securely mount the aluminum pipe.
70050	Eastwood APS 1 Inch Pipe	-	-	8' aluminum pipe section.
70051	Eastwood APS Flexible Braided Hose - Short	-	-	Stainless steel braided flex hose for connecting to a compressor or off-wall location. 27.5" long with 1/2" female pipe thread fittings.
70052	Eastwood APS Flexible Braided Hose - Long	-	-	Same as above but 59" long.
70053	Eastwood APS Single 1/2 Inch Male Threaded Air Chuck	6	12	1/2" male pipe thread "Type M" quick connect.
70054	Eastwood APS Spanner Wrench Set	1	1	Necessary for tightening and loosening fittings.
70055	Eastwood APS Chamfer Tool	1	1	Necessary for deburring the pipe.

SPECIFICATIONS

Pressure Device Standard	PED 2014/68/EU
Flame Classification	UL 94 V-2
Rated Pressure	175 psi [12 bar]
Piping	1" [25mm], Aluminum
Fittings	PA-6

SAFETY INFORMATION

The following explanations are displayed in this manual, on the labeling, and on all other information provided with this product:

⚠ DANGER

DANGER indicates a hazardous situation which, if not avoided, will result in death or serious injury.

⚠ WARNING

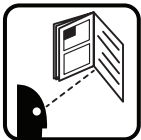
WARNING indicates a hazardous situation which, if not avoided, could result in death or serious injury.

⚠ CAUTION

CAUTION indicates a hazardous situation which, if not avoided, could result in minor or moderate injury.

⚠ NOTICE

NOTICE is used to address practices not related to personal injury.



⚠ READ INSTRUCTIONS

- Thoroughly read and understand these product instructions before using.
- Keep these product instructions for future reference.



⚠ WARNING BURST HAZARD!

- The Compress Air Piping System is rated for a maximum air pressure of 175 psi [12 bar]. Overpressurization may result in bursting and personal injury.



⚠ WARNING INJURY HAZARD

- Installation tools can create various eye hazards such as flying dust and debris. Always wear ANSI eye protection during installation.
- Handling sharp pipes can cause serious cuts. Avoid pinching hands while handling parts and during assembly. Wear thick, well-fitting work gloves to prevent injury.
- Do not mount in a location where the components may become an obstruction where head or bodily contact could cause injury.



⚠ WARNING EXPLOSION HAZARD!

- Check for possible interference with electrical lines, other utilities or other unseen obstructions before mounting components.



⚠ CAUTION FALLING HAZARD!

- Use caution if installing to an elevated position, particularly when using a ladder. Maintain three points of contact with proper footing and balance at all times.
- The components must be securely mounted to prevent falling which can cause personal injury and property damage.



⚠ CAUTION RAPID AIR DISCHARGE!

- Depressurize the air system before making any changes to the system.

⚠ NOTICE

- For intended use with compressed air only. NOT for use with breathing air, inert gasses, or negative pressure systems.
- Securely support the air system every 4' [1.2m].
- Periodically inspect the air system for damage. Depressurize immediately and repair if damage is observed.
- The use of a PTFE thread sealant or similar is recommended when fastening 1/2" pipe thread joints.

INSTALLATION

LOCATION

- Carefully plan the routing of your air system for ease of assembly and to avoid utilities both external and internal to the wall.
- If attaching to a studded wall, you may use the wood screw included with the 1 inch Pipe Mount. Use a stud finder to find studs for attachment.
- Supporting the pipe and fittings every 4' at a minimum is recommended.
- If attaching to a solid concrete or hollow block wall, the use of the proper anchors is required.
- The 1 inch Pipe Mount includes an M6x30 machine screw for alternative mounting.
- Utilize a flexible line such as our braided Stainless Steel hoses to connect to the air compressor. Vibration from hard mounting to the compressor could damage the air system in the long term.

PIPE TO FITTING ASSEMBLY

- Prepare pipe by making a square, clean cut. Using a tubing cutter (Eastwood #32574, not included) is ideal (**FIG 1**).
- Use both ends of the Inner/Outer Pipe Deburring Tool to completely deburr the end of the pipe (**FIG 2**). Inspect the pipe end for significant abrasion, scoring or dents within 2" of the cut. Damage could result in a poor seal. Clean any aluminum shavings or other debris from the end of the deburred pipe before installation (**FIG 3**).
- Turn the Fitting Collar hand tight then back if off two turns. When bottomed out the pipe should be inserted 2.25" [57mm] (**FIG 4**). Making a mark at this point to verify complete insertion is recommended. Use of a lubricant, such as silicone grease or petroleum jelly, on the pipe end and O-ring can ease assembly.

FIG. 1

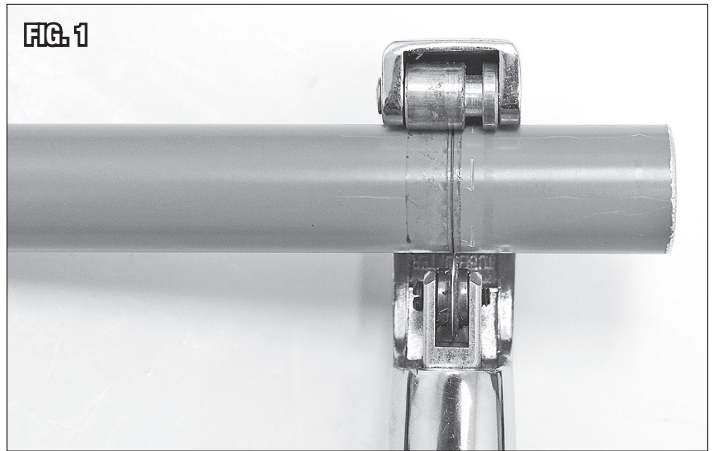


FIG. 2

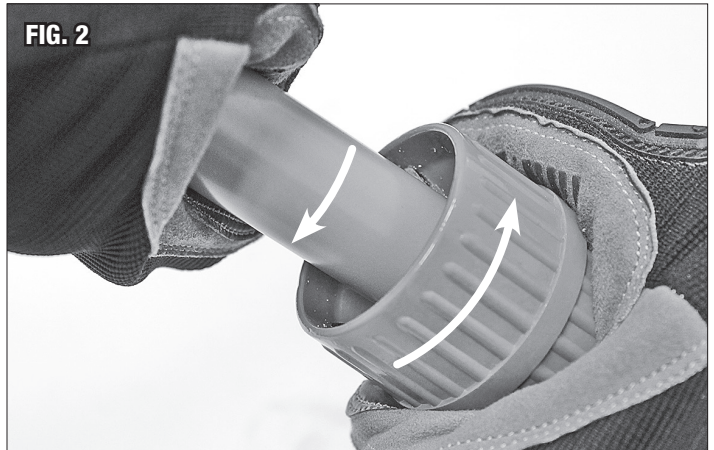


FIG. 3

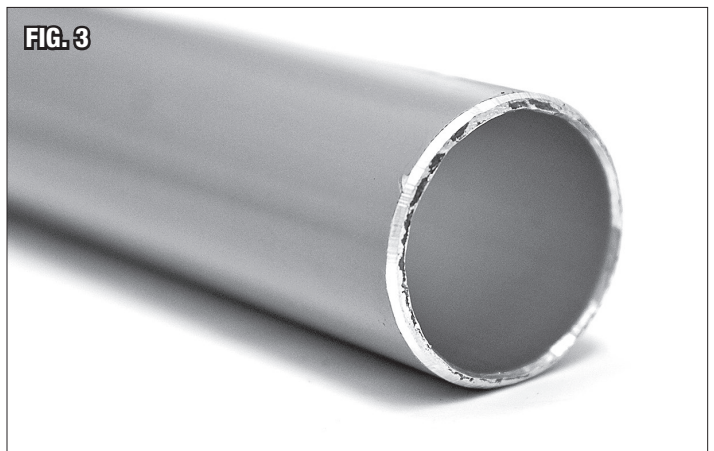
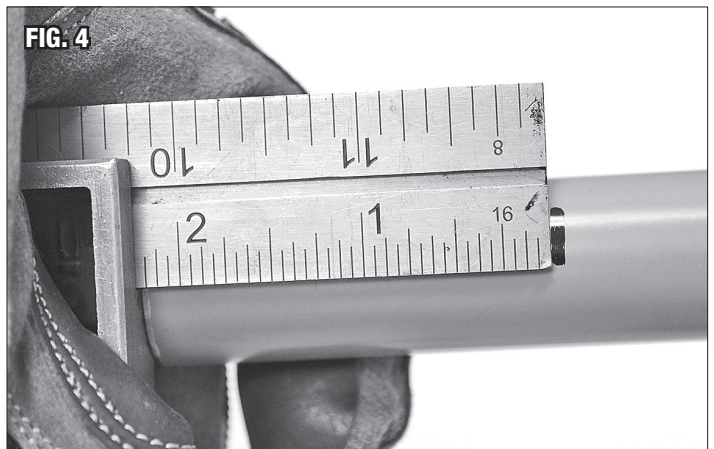


FIG. 4



NOTE: In some cases, it may be easier to fully remove the Collar and slide the components over the pipe, then insert the pipe and fasten the Collar. The order the components are assembled in is important (**FIG 5**).

- Hand tighten and check the mark is flush with the end of the Fitting (**FIG 6**). Tighten snug using the Spanner Wrench Set (**FIG 7**). Do not over tighten, the fittings are composite and will strip.

CHECKING FOR LEAKS

- Pressurize the system and check for leaks by spraying the fittings joint with soapy water. Watch for bubble formation.
- If a leak is found, snug the fitting as needed to stop it.

MAINTENANCE

- Periodically inspect the fittings for tightness. Especially in the first few weeks after installation because settling and vibration from the compressor system or other tools in the area could result in loosening.
- The joints are fully reusable if reconfiguration is needed. Before reassembly, verify the fitting and O-ring are free of debris. Removing the pipe may leave behind some chipped paint that could compromise the O-ring seal.

FIG. 5

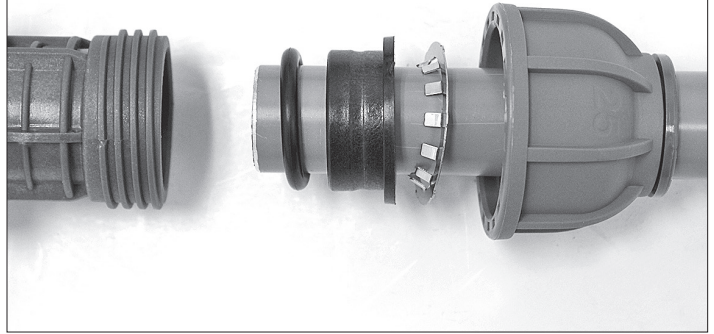


FIG. 6

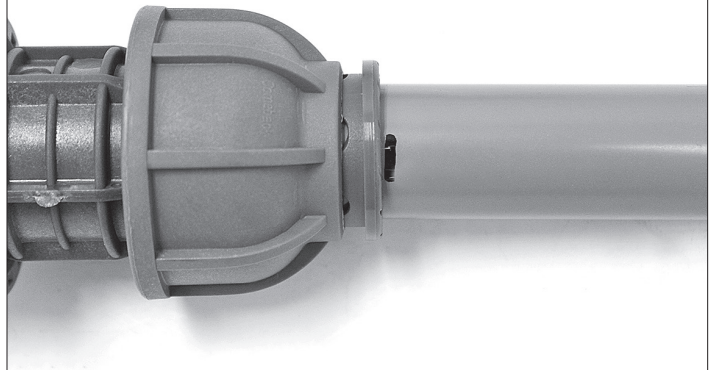


FIG. 7



ADDITIONAL ITEMS

R&D MUST-HAVE ACCESSORIES



Eastwood Professional Tubing Cutter



#31633
Eastwood CFS



#63600
Eastwood 30/60 Scroll Compressor

Visit eastwood.com for complete info and pricing.

If you have any questions about the use of this product, please contact

The Eastwood Technical Assistance Service Department: 800.343.9353 >> email: tech@eastwood.com

PDF version of this manual is available at eastwood.com

The Eastwood Company 263 Shoemaker Road, Pottstown, PA 19464, USA 800.343.9353 eastwood.com

© Copyright 2024 Eastwood Automotive Group LLC 8/24 Instruction item #72843Q Rev 1