

*Eastwood*<sup>®</sup>

**DO THE JOB RIGHT.<sup>®</sup>**

Item #73229

# **2500 LB. WHEEL DOLLIES**

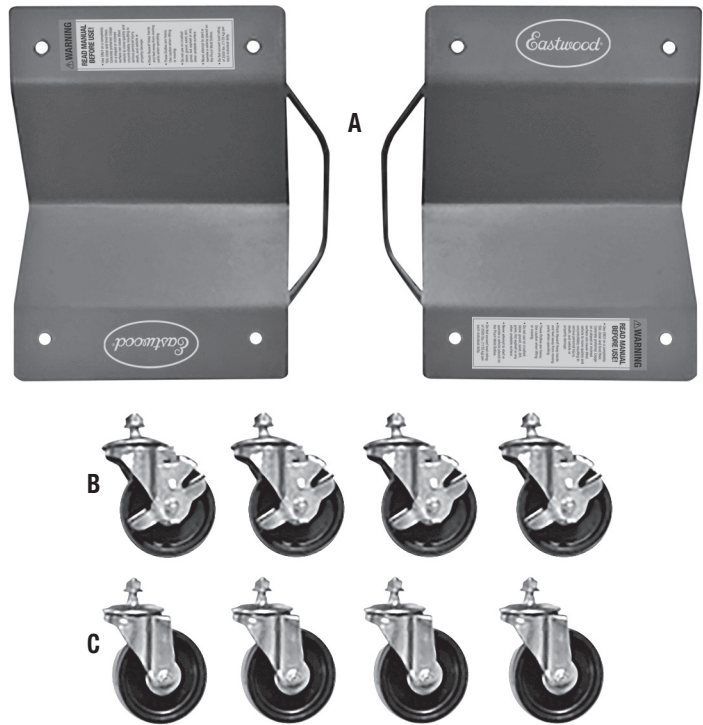
## **ASSEMBLY & OPERATING INSTRUCTIONS**



The **EASTWOOD 2500 LB. WHEEL DOLLIES** allow careful maneuvering of your vehicle in a tight garage space. These are sold as a pair and are suitable for supporting the front or rear axle. Purchase two pairs to mobilize all four wheels. These heavy-duty, plate steel Dollies are suitable for temporarily moving your project or for long term storage. Finished with a durable powder coating to last a lifetime, the Dollies are easy to install and remove with the help of a floor jack.

## INCLUDES

- (2) Wheel Dollies with Swivel Handle **[A]**
- (4) Ø3" Locking Swivel Casters with Threaded Stem, Flange Nut installed **[B]**
- (4) Ø3" Swivel Casters with Threaded Stem, Flange Nut installed **[C]**



## SPECIFICATIONS

- Weight Capacity:** 2500 lbs. per unit
- Swivel Caster Specifications:** Ø3" x 1.2" [Ø72 x 31mm] Polyamide wheel  
M12 x 1.75 Threaded stem
- Overall Assembled Dimensions:** 15.9" x 11.8" x 5.3" [404 x 300 x 135mm]
- Assembled Weight:** 19.1 lbs.

## SAFETY INFORMATION

The following explanations are displayed in this manual, on the labeling, and all other information provided with this product:

### **⚠ DANGER**

DANGER indicates a hazardous situation which, if not avoided, will result in death or serious injury.

### **⚠ WARNING**

WARNING indicates a hazardous situation which, if not avoided, could result in death or serious injury.

### **⚠ CAUTION**

CAUTION indicates a hazardous situation which, if not avoided, could result in minor or moderate injury.

### **⚠ NOTICE**

NOTICE is used to address practices not related to personal injury.



### **⚠ READ INSTRUCTIONS!**

- Thoroughly read and understand these product instructions before using.
- Keep these product instructions for future reference.



### **⚠ WARNING INJURY/CRUSH HAZARD!**

- Carelessly lowering a vehicle on or lifting it off the Wheel Dollies could result in the vehicle shifting suddenly, causing personal injury and property damage. Work slowly and cautiously, ensuring the jack, Dollies, and vehicle are stable throughout the process. Keep hands and feet away from under the vehicle during the process.
- Use **ONLY** on a completely flat, clean and level floor. Concrete preferred. Use on a sloped or inclined surface can cause the Dollies to move quickly and uncontrollably resulting in serious personal injury, death, and vehicle or property damage. Activate all Caster Locks after moving the vehicle.
- Never work under a vehicle supported by vehicle-moving dollies.
- **DO NOT** attempt to use on crushed stone, gravel, sand, earth, grass, hot asphalt or any other unstable surface. Do not cross uneven or wide transitions in the floor.
- Overloading Wheel Dollies can cause sudden component failure resulting in serious injury or death. Do Not exceed load rating of 2500 lbs. [1134 kg] per unit (2500 lbs. [1134 kg] per individual vehicle corner).
- Never attempt to start or operate a vehicle placed on the Wheel Dollies.
- **DO NOT** use to support humans or animals.
- **DO NOT** sit, stand, or ride on the Wheel Dollies.
- **DO NOT** attempt to transport a vehicle while supported by the Wheel Dollies.
- **DO NOT** use with lifting devices that are malfunctioning or damaged.
- **DO NOT** remove or cover any of the factory supplied labels or warnings! They include specific safety information that must be communicated to future users.



### **⚠ CAUTION INJURY HAZARD!**

- These Wheel Dollies could cause injury or property damage if dropped. Use caution when assembling, lifting or moving.
- Use of Wheel Dollies can present pinch or crush hazards between the Dolly and vehicle, Dolly casters and floor, and the moving vehicle and surrounding objects.



### **⚠ NOTICE**

- For intended use only under passenger car or light truck and SUV wheels.
- Do not make modifications to this product.
- Only use with the wheels parallel to the Handles and centered in the "V". Improper use could result in the vehicle sliding off the Dollies. The vehicle parking brake must be fully engaged when seated.
- Use only in pairs supporting the front half or the rear half of the vehicle, or the whole vehicle. Never use to support one corner or only one side of the vehicle.
- **NEVER** use with a bare rim. This could damage the rim and the vehicle will not be as secure without the grip of a tire.
- Inspect before each use. Grease swivel and caster bearings as needed to ease movement.
- If storing a vehicle for an extended period of time, periodically rotate the tires to prevent flat spots.

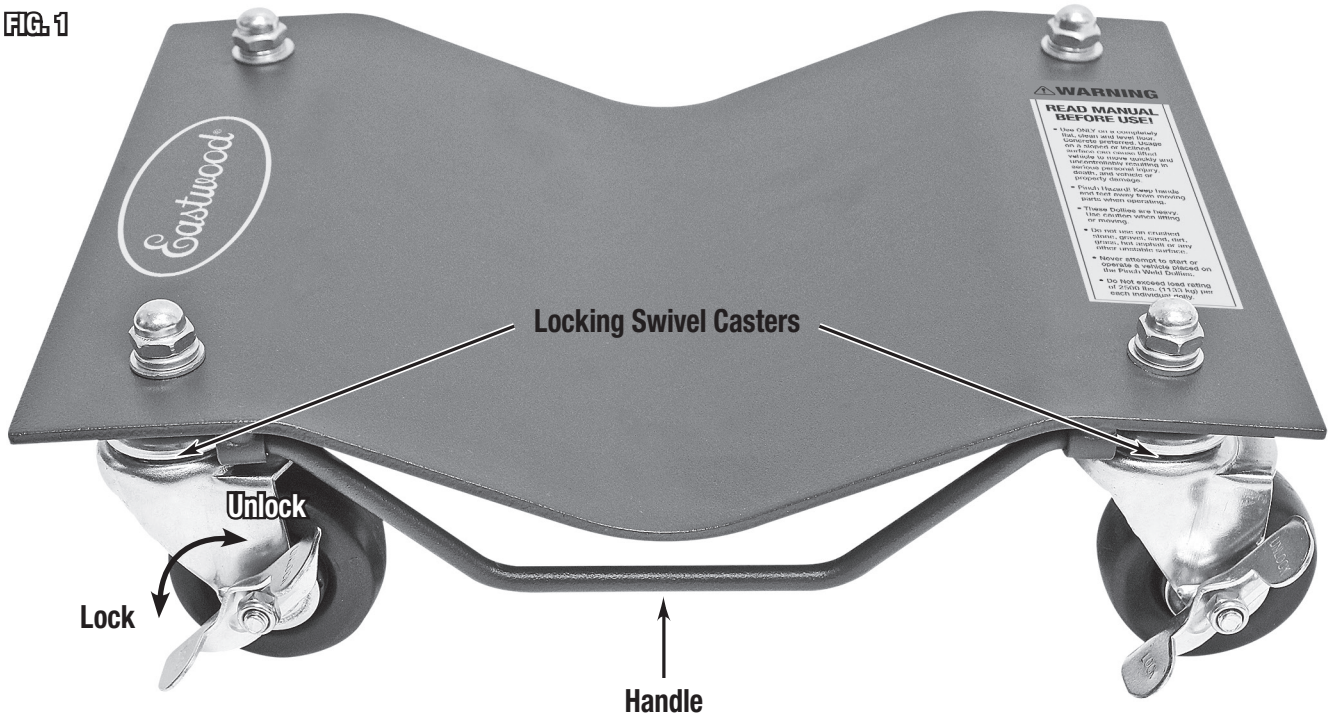
# ASSEMBLY

## **⚠ CAUTION INJURY HAZARD!**

- These Wheel Dollies could cause injury or property damage if dropped. Use caution when assembling, lifting or moving.
- Use of Wheel Dollies can present pinch or crush hazards between the Dolly and vehicle, Dolly casters and floor, and the moving vehicle and surrounding objects.

- Insert the stems of the Swivel Casters through the mounting holes from the bottom of the Dolly. For easiest access, install the Locking Swivel Casters nearest to the Handle (**FIG 1**).
- Install and securely tighten the nuts to all Casters.
- Repeat steps above for other Dolly.

**FIG. 1**



# OPERATION

## **⚠ WARNING** INJURY / CRUSH HAZARD!

- Carelessly lowering a vehicle on or lifting it off the Wheel Dollies could result in the vehicle shifting suddenly, causing personal injury and property damage. Work slowly and cautiously, ensuring the jack, Dollies, and vehicle are stable throughout the process. Keep hands and feet away from under the vehicle during the process.
- Use **ONLY** on a completely flat, clean and level floor. Concrete preferred. Use on a sloped or inclined surface can cause the Dollies to move quickly and uncontrollably resulting in serious personal injury, death, and vehicle or property damage. Activate all Caster Locks after moving the vehicle.
- Overloading Wheel Dollies can cause sudden component failure resulting in serious injury or death. Do Not exceed load rating of 2500 lbs. [1134 kg] per unit (2500 lbs. [1134 kg] per individual vehicle corner).

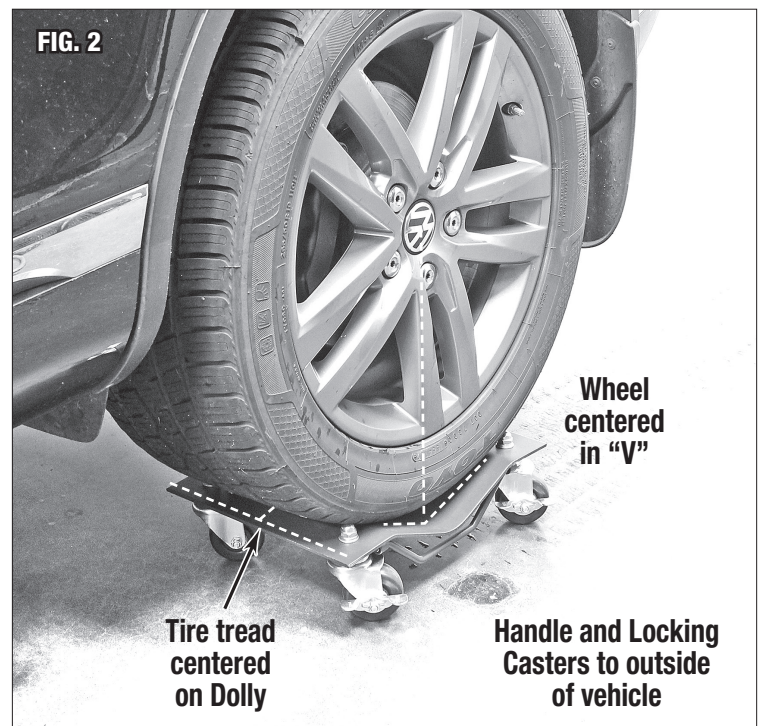
## **⚠ CAUTION** INJURY HAZARD!

- These Wheel Dollies could cause injury or property damage if dropped. Use caution when assembling, lifting or moving.
- Use of Wheel Dollies can present pinch or crush hazards between the Dolly and vehicle, Dolly casters and floor, and the moving vehicle and surrounding objects.

## **⚠ NOTICE**

- For intended use only under passenger car wheels. Do not modify.
- Only use with the wheels parallel to the Handles and centered in the "V". Improper use could result in the vehicle sliding off the Dollies.
- Use only in pairs supporting the front or rear half of the vehicle, or the whole vehicle. Never use to support one corner or left/right side of the vehicle.
- **NEVER** use with a bare rim. This could damage the rim and the vehicle will not be as secure without the grip of a tire.

- Lift one end of the vehicle and carefully position the Dollies centered under the tire tread, Handles to the outside of the vehicle, and the "V" centered under the wheel (**FIG 2**).
- Slowly lower the vehicle onto the Dollies.
- The lifting device can now be removed. Repeat at the opposite end of the vehicle if fully supporting it with four Wheel Dollies.
- When finished moving the vehicle, lock all casters in place by pressing the levers to the LOCK position (**FIG 1**).



# MAINTENANCE

- Before each use, check all hardware for tightness and all components for damage. Grease casters and swivel bearings as needed via the grease fittings.





# ADDITIONAL ITEMS

## R&D MUST-HAVE ACCESSORIES

**#22280**

Eastwood 3 Ton  
Low Profile Heavy Duty  
Steel Floor Jack



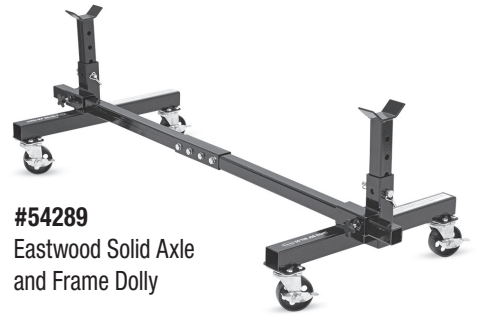
**#31504**

Eastwood 6 Ton  
Jack Stands  
Set of 2



**#54289**

Eastwood Solid Axle  
and Frame Dolly



Visit [eastwood.com](http://eastwood.com) for complete info and pricing.

---

**If you have any questions about the use of this product, please contact**

The Eastwood Technical Assistance Service Department: 800.343.9353 >> email: [tech@eastwood.com](mailto:tech@eastwood.com)

PDF version of this manual is available at [eastwood.com](http://eastwood.com)

The Eastwood Company 263 Shoemaker Road, Pottstown, PA 19464, USA 800.343.9353 [eastwood.com](http://eastwood.com)

© Copyright 2024 Eastwood Automotive Group LLC 10/24 Instruction item #73229Q Rev 1