

Eastwood

DO THE JOB RIGHT.

Item #30551

HYDRAULIC WHEEL DOLLIES



INSTRUCTIONS

The **Eastwood Hydraulic Wheel Dollies** provide a safe, convenient and secure way to easily maneuver a vehicle around on a flat floor, in any direction. Great for vehicle storage in confined or limited space areas. The foot-pedal operated hydraulic lifting design virtually eliminates jacking effort.

SAFETY INFORMATION



READ INSTRUCTIONS!

Thoroughly read and understand this instruction manual before using. Save manual for future reference.



WARNING!



- These Hydraulic Wheel Dollies are heavy. Use caution when lifting or moving.
- Pinch Hazard. Keep hands and feet away from moving parts when operating.
- Use **ONLY** on a completely flat, clean and level floor. Concrete preferred. Usage on a sloped or inclined surface can cause lifted vehicle to move quickly and uncontrollably resulting in serious personal injury, death, and vehicle or property damage.
- Do Not use on crushed stone, gravel, sand, earth, grass, hot asphalt or any other unstable surface.
- Never attempt to start or operate a vehicle placed on the Eastwood Hydraulic Wheel Dollies.
- Do Not exceed load rating of 1300lbs. (589 kg.) per each individual dolly.
- Do Not exceed total tire/wheel width of 12" (305 mm).
- Do Not allow any part of the Wheel Dolly frame to contact the tire sidewall or tire damage can result.

INCLUDES

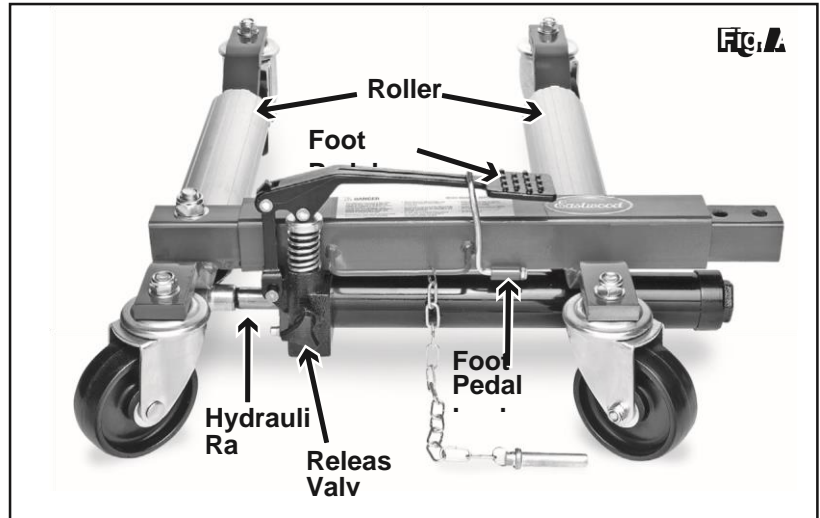
(2) Eastwood Hydraulic Wheel Dollies with Nylon



SET-UP

NOTE: Eastwood Hydraulic Wheel Dollies may need to be purged of air before the first use.

1. Turn the Release Valve knob in a counter-clockwise direction (when viewed from above) to open (**Fig A**) and remove Lock Pin.
2. Carefully grasp each roller and slowly push them apart to the fully open position.
CAUTION: Do not allow rollers to move inward with Release Valve open.
3. Slightly depress the Foot Pedal and carefully release the Foot Pedal Lock. **CAUTION:** The Foot Pedal is under spring tension and will quickly rise up when the Foot Pedal Lock is released.
4. Slowly operate the Foot Pedal through 5 to 10 full strokes.
5. Close Release Valve fully by rotating in a clockwise direction.
6. The Eastwood Hydraulic Wheel Dollies are ready for use.

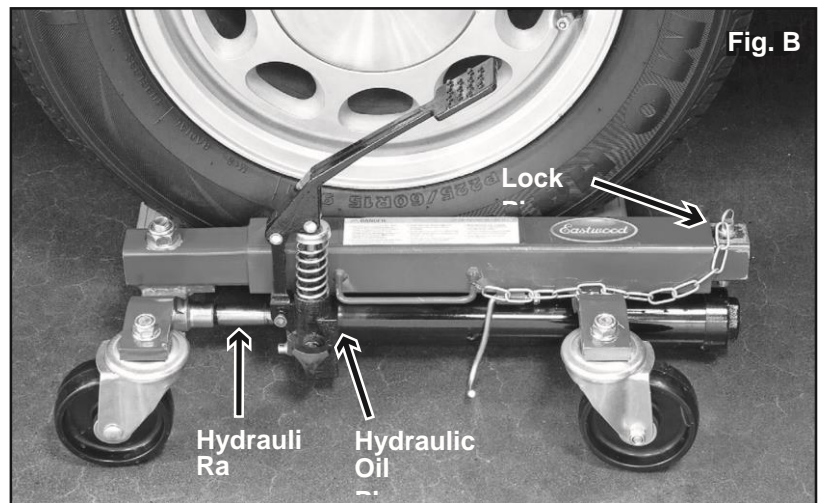


OPERATION

NOTE: Best results are achieved with the use of four (4) Eastwood Hydraulic Wheel Dollies.

LIFTING VEHICLE

1. With the Rollers spread apart, roll the Hydraulic Wheel Dolly in place with each of the Rollers positioned at tire tread, ahead of and behind the wheel (**Fig B**). **CAUTION:** Do not allow tire sidewall to come in contact with any part of the Hydraulic Wheel Dolly frame and allow a minimum of 1" (25mm) between sidewall and frame to accommodate tire flex under load.
2. Be sure the Release Valve is securely closed.
3. Depress the Foot Pedal repeatedly until Rollers begin to apply pressure to tire. Check for tire sidewall to Wheel Dolly frame contact.
4. Continue to depress Foot Pedal until tire tread is lifted from the floor.
5. Engage the Foot Pedal Lock and place the Lock Pin in the nearest open retaining hole to lock the jack in the raised position (**Fig B**).
6. Repeat for remaining Wheel Dollies.
7. Push the vehicle to the desired location.



LOWERING VEHICLE

1. Depress the Foot Pedal slightly to release the Foot Pedal Lock.
2. Remove the Lock Pin. (The Foot Pedal may need to be pumped slightly to release pressure on the Lock Pin).
3. Slowly turn the Release Valve knob in a counter-clockwise direction (when viewed from above) to open.
4. Vehicle weight will spread the Rollers apart and allow vehicle to lower until the tire tread contacts the floor.
5. Pull Dolly away from wheel.
6. Replace Foot Pedal Lock to keep Foot Pedal in place.

DOLLY MAINTENANCE

- Provide several drops of oil to pivot points periodically to prevent binding.
- Lubricate the sliding components with a heavy-bodied chassis or wheel bearing grease.
- Keep all areas of the Dolly clean, particularly the hydraulic ram and sliding frame components.
- Before each use, check all hardware for tightness, all components for damage, hydraulic fluid leaks and rust or dirt on moving parts.
- Store in a clean & dry environment when not in use. Coat all machined surfaces with a light lubricant film of oil or suitable protectant to prevent rust formation.

To order parts and supplies: 800.345.1178 >> eastwood.com

CHECKING/ADDING HYDRAULIC OIL

CHECKING HYDRAULIC OIL

- With Dolly on a level surface, pull the rollers fully apart.
- Remove the Oil Fill Plug (Phillips Head located on side of Cylinder).
- Observe Oil level. (Full oil level is even with the bottom of the fill hole).

ADDING HYDRAULIC OIL

- Use only a high-quality hydraulic jack oil.
CAUTION: The use of any other type of oil can seriously damage the hydraulic pump seals.
- Fill to full oil level using a small funnel (Full oil level is even with the bottom of the fill hole).

TROUBLESHOOTING

FAILURE TO LIFT WHEN JACKING

- **Air in hydraulic system** **To remove air:**
 - Turn the Release Valve Knob in a counter-clockwise direction (when viewed from above) to open.
 - Carefully grasp each roller and slowly push them apart to the fully open position.
CAUTION: Do not allow rollers to move inward with Release Valve open.
 - Slowly operate the Foot Pedal through 5 to 10 full strokes.
 - Close Release Valve fully by rotating in a clockwise direction.
- **Low Hydraulic Fluid Level**
 - With Dolly on a level surface, pull the rollers fully apart.
 - Remove the Oil Fill Plug (Phillips Head located on side of Cylinder).
 - Observe Oil level. (Full oil level is even with the bottom of the fill hole).
 - Fill to full oil level using a small funnel. (Full oil level is even with the bottom of the fill hole).
 - Use only a high-quality hydraulic jack oil.
CAUTION: The use of any other type of oil can seriously damage the jack pump seals.
- **Binding of moving parts**
 - Clean any grit or debris and lubricate all moving parts of Dolly.
 - Inspect for broken, bent, rusted or otherwise damaged components of Dolly.

ACCESSORIES

#30580 Eastwood Hydraulic Wheel Dolly Storage Cart

If you have any questions about the use of this product, please contact

The Eastwood Technical Assistance Service Department: 800.544.5118 >> email:
techelp@eastwood.com PDF version of this manual is available online >>
eastwood.com/30551manual

The Eastwood Company 263 Shoemaker Road, Pottstown, PA 19464, USA
US and Canada: 800.345.1178 Outside US: 610.718.8335
Fax: 610.323.6268 eastwood.com