



**THE ROCKWOOD 3/8" NPT AIR FILTER/DRYER** includes a high-capacity, drainable Coalescing Filter and Bowl to trap moisture and other impurities from a compressed air supply. The Dryer section contains a replenishable pellet-type of moisture absorbing desiccant. Also included is an integral mounting bracket for secure mounting.

## CONTENTS

- (1) 3/8" FNPT inlet Coalescing Filter with Drain Valve
- (1) 3/8" FNPT outlet Dryer
- (1) 2 Bags of Desiccant
- (1) Integral Mounting Bracket

## SPECIFICATIONS

- 3/8" FNPT Inlet.
- 3/8" FNPT Outlet.
- Maximum 150 PSI (10.4 bar) service pressure.
- Maximum 125°F (52°C) service temperature.



# INSTALLATION

## **⚠ WARNING**

**Shut-off and release all pressure from air lines and the system before attempting to any installation, servicing, or perform any maintenance.**

- A suitable air shut-off valve (Not Included) **SHOULD** be installed before the Filter/Dryer so the unit can be easily depressurized for servicing.
- The Filter/Dryer should be installed as close as possible to any air tools & spray guns to be used.
- Securely mount the Filter/Dryer in a vertical position using the mounting bracket (**Fig 1**).
- Connect the Filter/Dryer with the cast-in direction arrows consistent with the connecting inlet and outlet piping.
- Remove the Bowl Housing and Bowl from the Dryer Housing by loosening the Lock Ring. Rotate the Lock Ring in a Clockwise direction as viewed from the top of the Housing to loosen. Pull Bowl down to remove from Dryer Housing (**Fig 2 on page 6**).
- Open 1 bag of Desiccant and pour into the Bowl. Shake or tap periodically to settle Desiccant. Fill to within 1/2" (13mm) of top of Bowl. **DO NOT** allow Desiccant to fall into the Center Tube.
- Reinstall Bowl onto Dryer Housing. Be sure the Lock-Ring is securely tightened before pressurizing unit.
- Be sure to connect outlet to a clean air hose to prevent contamination of the filtered & dried air.
- Open inlet valve to pressurize system and check for leaks.

## **⚠ NOTICE**

**For best results, install a #31733, Rockwood 3/8" NPT Coalescing Air Filter/Regulator (Not Included) after the compressor but before this Dryer/Filter.**

# MAINTENANCE

## **⚠ WARNING**

**Shut-off and release all pressure from air lines and the system before attempting to any installation, servicing, or perform any maintenance.**

### **DRAINING MOISTURE:**

Drain moisture from Filter before every use. The level of accumulated moisture is visible through the vertical windows of the Filter Bowl Housing. **DO NOT** allow moisture level to reach the internal baffle assembly.

## **⚠ NOTICE**

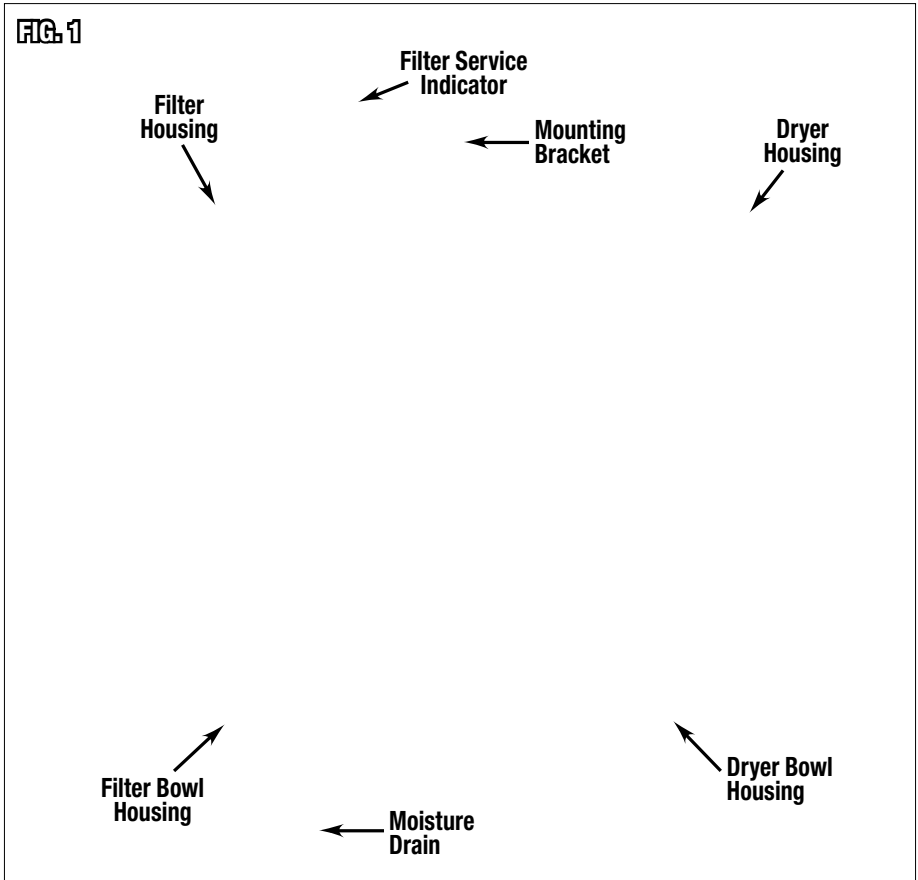
**Be sure the system pressure is 10 PSI [0.7 bar] or less before draining.**

- To Drain: Turn the Drain Valve lever located at the underside of the Filter Bowl 90° so that the lever is vertical and the arrow points downward (**Fig 1**).
- Allow accumulated moisture to drain.
- When moisture stops flowing, rotate the Drain Valve lever 90° upward & so that it is horizontal.

## REPLACE COALESCING FILTER ELEMENT:

The Orange Service Indicator within the clear cap atop the Filter Housing will rise up indicating the need to change the Filter Element (**Fig 1**).

- Drain moisture from Filter Bowl as described previously.
- Rotate the Lock Ring in a Clockwise direction as viewed from the top of the Housing to loosen.
- Remove Bowl Housing and Bowl.
- Dry any residual moisture remaining inside the Bowl.
- Unthread and remove the Filter Element.
- Install replacement Filter Element.
- Reinstall Bowl onto Filter Housing. Be sure the Lock-Ring is securely tightened before pressurizing unit.

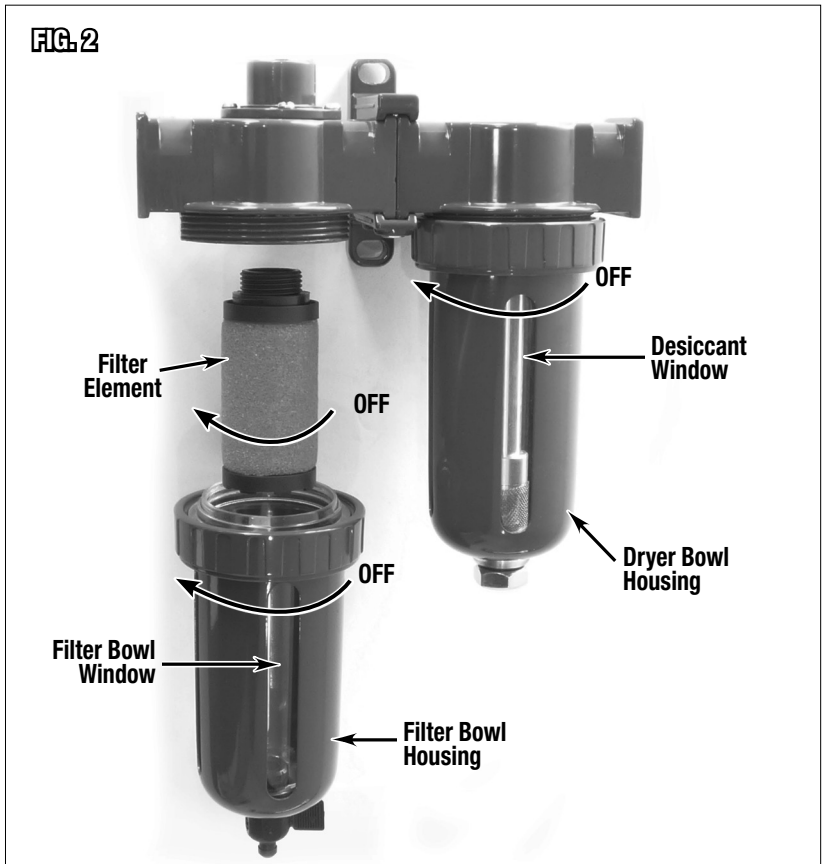


# MAINTENANCE (CONTINUED)

## REPLACE DESICCANT:

The Desiccant normally appears through the vertical windows of the Dryer Bowl Housing normally as blue pellets. When the Desiccant becomes saturated and needs replacement, it will turn pink in color.

- Rotate the Lock Ring in a Clockwise direction as viewed from the top of the Housing to loosen (Fig 2).
- Remove Bowl Housing and Bowl.
- Pour saturated Desiccant from Bowl.
- Dry any residual moisture remaining inside the Bowl.
- Pour replacement Desiccant into the Bowl. Shake or tap periodically to settle Desiccant. Fill to within 1/2" (13mm) of top of Bowl. DO NOT allow Desiccant to fall into the Center Tube.
- Reinstall Bowl onto Dryer Housing. Be sure the Lock-Ring is securely tightened before pressurizing unit.





# ADDITIONAL ITEMS

- # 20592 Eastwood 1 Qt. Refill Desiccant
- # 31729 Replacement Filter Element for 3/8" NPT, 2 Stage Air Filter/Desiccant Dryer System
- # 31733 Rockwood 3/8" NPT Coalescing Air Filter/Regulator

---

**If you have any questions about the use of this product, please contact**

The Eastwood Technical Assistance Service Department: 800.343.9353 >> email: [techelp@eastwood.com](mailto:techelp@eastwood.com)

PDF version of this manual is available online >> [eastwood.com/31679manual](http://eastwood.com/31679manual)

The Eastwood Company 263 Shoemaker Road, Pottstown, PA 19464, USA

US and Canada: 800.343.9353 Outside US: 610.718.8335

Fax: 610.323.6268 [eastwood.com](http://eastwood.com)