

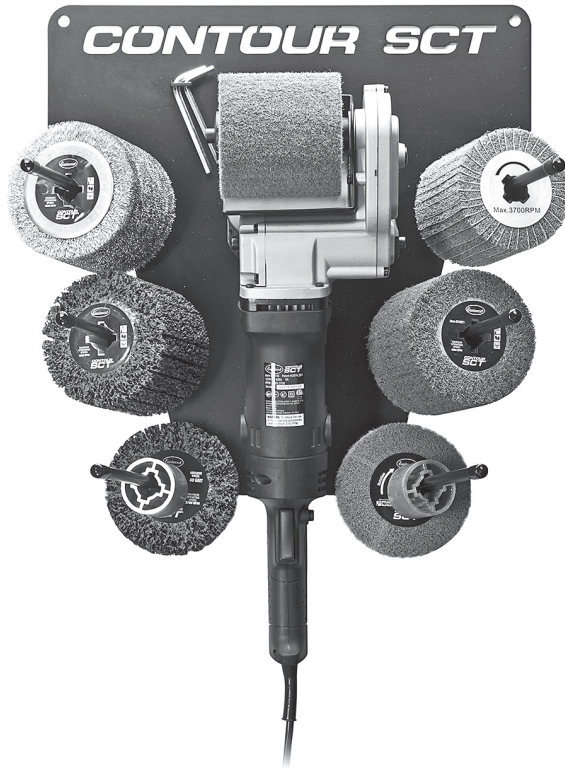
Eastwood[®]

DO THE JOB RIGHT.[®]

Item #33328

CONTOUR SCT RACK

INSTRUCTIONS



The **EASTWOOD CONTOUR SCT RACK** has been designed to conveniently hold an SCT and up to six drums all in one easy to reach location.

- This unit must be securely mounted on a wall, cabinet, workbench etc., capable of holding 30lbs. [13.6kg.] plus pulling stresses from operation. The use of 1/4" screws or appropriately sized bolts with washers and attachment to a structural member is highly recommended.
- If placing unit on a studded wall, attach to two studs using pre-cut, 15-3/4" spaced holes as a guide.
- If attaching to a solid concrete or hollow block wall, the use of the proper anchors is required.
- For less secure mounting surfaces, the use of a 1" x 17" x 5" backer board affixed to the wall is suggested as a mounting surface.

SAFETY INFORMATION

The following explanations are displayed in this manual, on the labeling, and on all other information provided with this product:

⚠ DANGER

DANGER indicates a hazardous situation which, if not avoided, will result in death or serious injury.

⚠ WARNING

WARNING indicates a hazardous situation which, if not avoided, could result in death or serious injury.

⚠ CAUTION

CAUTION used with the safety alert symbol, indicates a hazardous situation which, if not avoided, could result in minor or moderate injury.

⚠ NOTICE

NOTICE is used to address practices not related to personal injury.



⚠ READ INSTRUCTIONS

- Thoroughly read and understand these product instructions before mounting the Contour SCT Rack.
- Keep these product instructions for future reference.



⚠ WARNING INJURY HAZARD!

- Check for possible interference with electrical lines, other utilities, or obstructions before mounting.
- Do not mount in a location where the Contour SCT Rack may become an obstruction where head or bodily contact could cause injury.

⚠ CAUTION FALLING HAZARD!

- This unit must be securely mounted to prevent falling which can cause personal injury and property damage.

⚠ CAUTION INJURY HAZARD!

- Ensure Contour SCT is unplugged before storage to prevent accidental power on which can cause personal injury and property damage.

If you have any questions about the use of this product, please contact

The Eastwood Technical Assistance Service Department: 800.343.9353 >> email: tech@eastwood.com

PDF version of this manual is available at eastwood.com

The Eastwood Company 263 Shoemaker Road, Pottstown, PA 19464, USA

800.343.9353 eastwood.com