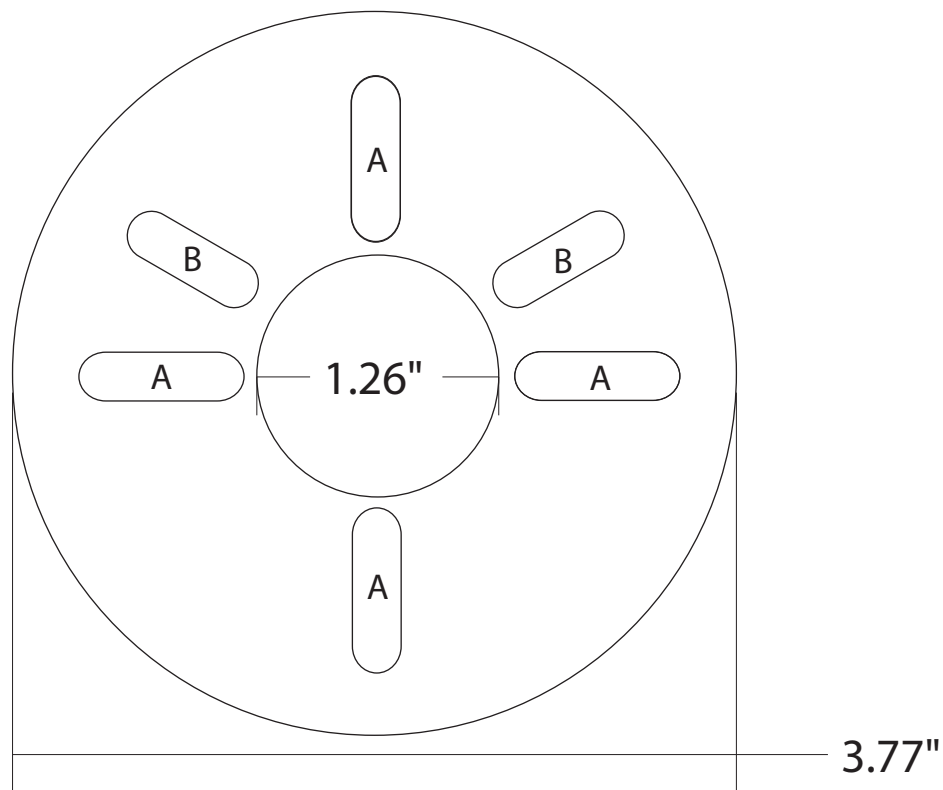




Multitool fits all popular brands of grinders with bolt-on type wheel guards using the standard adapter . We recommend at least 1/2 hp minimum power. Shaft size must be 1/2" or 5/8". An instruction manual and fitting kit, including the universal adapter with radial slots as seen below, are included. Multitool will NOT fit a grinder with heavy cast wheel guards if the guards are used to retain the spindle bearings .

Dimensions of standard Adapter Plate (included)

Drawing is actual size and can be used to determine grinder compatibility



Slots A are used on 4-bolt patterns , slot dims of .860 x .245

Slots B are used on 3-bolt patterns , slot dims of .730 x .245

Additional Questions? Please call toll free 800-660-0880
or email us at greg@multitool-usa.com or visit us @ www.multitool-usa.com